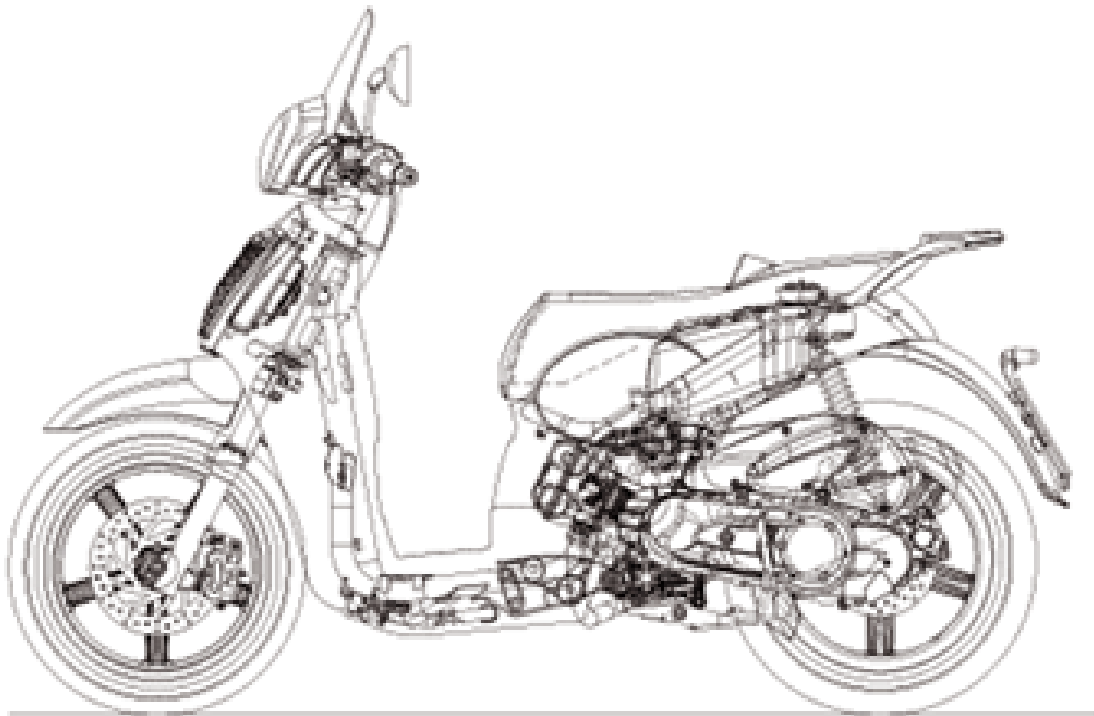




PIAGGIO & C.s.p.a.

scarabeo

SPARE PARTS CATALOGUE



Scarabeo 125-200 IE Light 2009-2010

Chassis prefix: ZD4RBG00, ZD4RBH00

Engine prefix:

*SCARABEO 125-200
LIGHT*

6609

Index

Finished products.....	4
Alphanumeric index.....	5
FRAME.....	9
Table 28.01 - Frame.....	9
Table 28.02 - Central stand.....	10
Table 28.03 - Front fork I.....	11
Table 28.04 - Front fork II.....	12
Table 28.05 - Connecting rod.....	13
Table 28.06 - Rear shock absorber.....	14
Table 28.07 - Front body - Front fairing.....	15
Table 28.08 - Front body - Front mudguard.....	17
Table 28.09 - Front body - Front cover.....	18
Table 28.10 - Front body - Front shield.....	19
Table 28.11 - Front body - Internal shield.....	20
Table 28.12 - Central body I.....	21
Table 28.13 - Central body II.....	22
Table 28.14 - Undersaddle.....	23
Table 28.15 - Saddle unit.....	24
Table 28.16 - Rear body I.....	25
Table 28.17 - Rear body II.....	27
Table 28.18 - Dashboard.....	28
Table 28.19 - Handlebar.....	29
Table 28.20 - LH Controls.....	30
Table 28.21 - RH controls.....	31
Table 28.22 - Front/rear brake system.....	32
Table 28.23 - Front/rear brake system.....	33
Table 28.24 - Water cooler.....	34
Table 28.25 - Cooling system.....	35
Table 28.26 - Fuel tank.....	36
Table 28.27 - Air box.....	37
Table 28.28 - Oil vapour recover system.....	38
Table 28.31 - Exhaust unit.....	39
Table 28.32 - Front wheel.....	40
Table 28.33 - Front caliper.....	41
Table 28.34 - Rear wheel.....	42
Table 28.35 - Rear caliper.....	43
Table 28.36 - Headlight.....	44
Table 28.37 - Taillight.....	45
Table 28.38 - Electrical system I.....	46
Table 28.39 - Electrical system II.....	47
Table 28.40 - Lock hardware kit.....	48
ENGINE.....	49
Table 29.29 - Injection unit.....	49

Table 29.30 - Engine.....	50
Table 29.41 - Crankcase.....	51
Table 29.42 - Drive shaft.....	53
Table 29.43 - Cylinder.....	54
Table 29.44 - Cylinder head.....	55
Table 29.45 - Camshaft.....	56
Table 29.46 - Chain tensioner.....	57
Table 29.47 - Oil filter.....	58
Table 29.48 - Clutch.....	59
Table 29.49 - Variator assembly.....	60
Table 29.50 - Variator cover.....	61
Table 29.51 - Oil pump.....	62
Table 29.52 - Transmission.....	63
Table 29.53 - Starter motor.....	64
Table 29.54 - Ignition unit.....	65
Table 29.55 - Water pump.....	66

Finished products

Code	Validity
AP6312100EAA00	
AP6312100EAA08	
AP6312100EAA09	
AP6312100EAA10	
AP6312100EAAXX	
AP6312100EBA00	
AP6312100EBA09	
AP6312102EAA00	
AP6312102EAA08	
AP6312102EAA10	
AP6312102EAAXX	
AP6312102EBA00	
AP6312102EBA08	
AP6312102EBA09	
AP6312102EBA10	

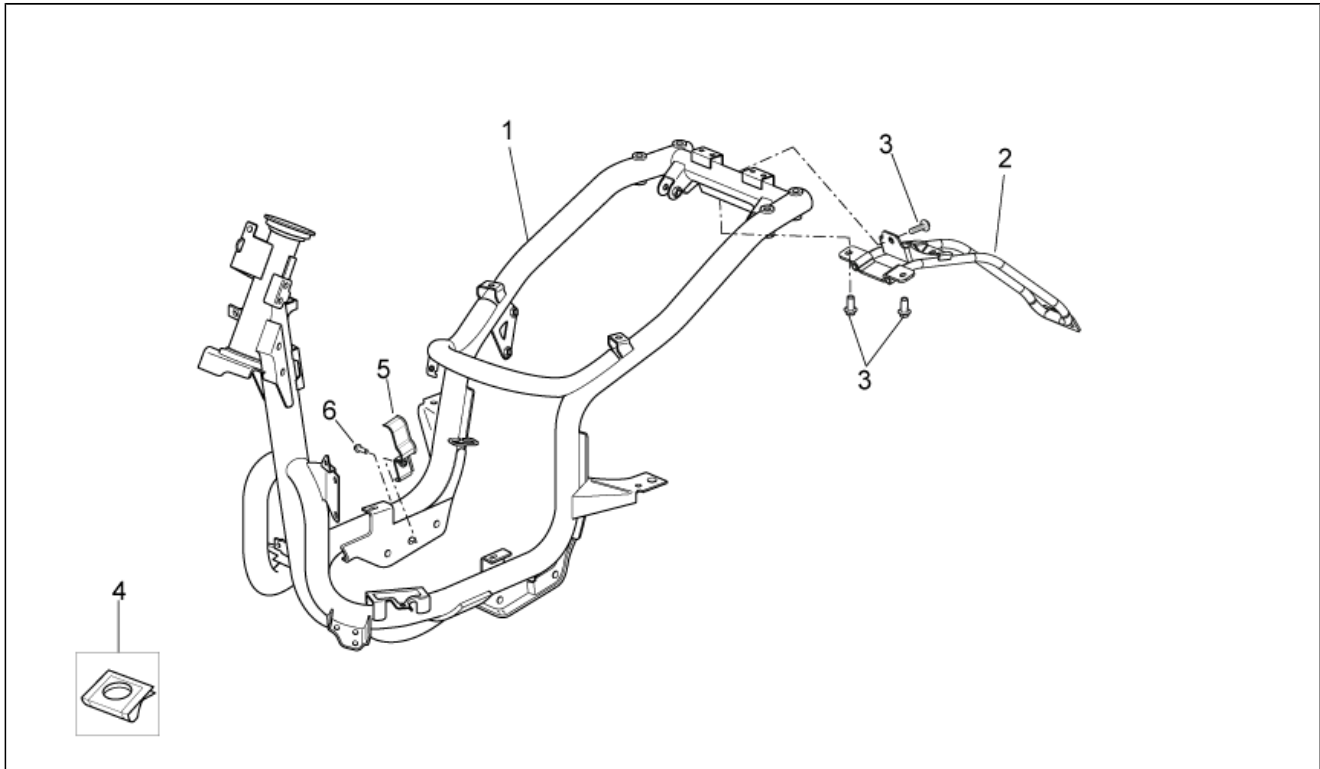
Code	No. table	Pos.	Code	No. table	Pos.	Code	No. table	Pos.
006976	28.23	5	854563	29.44	10	AP3CLA000637	29.44	9
013934	29.29	9	854795	29.44	3	AP3CLA000638	29.44	8
013934	29.50	11	854931	28.07	13	AP3CLA000639	29.44	9
031084	28.23	4	856026	29.49	11	AP3DBA000640	29.46	8
031090	28.23	9	856164	29.41	1	AP3DDA000379	29.46	7
129953	28.37	4	856165	29.41	1	AP3DDA000380	29.46	5
254485	28.01	4	856612	29.42	1	AP3DVN000235	29.46	9
254485	28.13	12	856615	29.42	1	AP3DVN000235	29.54	8
254485	28.24	7	8580170001	29.41	4	AP3DVN000274	29.49	8
254485	28.25	4	8580170002	29.41	4	AP3EDA000268	29.43	6
254485	28.26	3	8580170003	29.41	4	AP3EEN000234	29.44	7
254485	28.31	23	8580180001	29.41	5	AP3FCA000291	29.42	3
258146	28.27	13	8580180002	29.41	5	AP3FCN000126	29.41	2
265451	28.23	14	8580180003	29.41	5	AP3FCN000126	29.52	11
292022	28.36	3	872692	29.43	3	AP3FCN000127	29.44	15
294353	28.36	2	872693	29.43	4	AP3FCN000128	29.43	9
414837	29.53	2	872694	29.43	5	AP3FCN000128	29.44	14
430585	29.48	8	872727	29.43	3	AP3FCN000249	29.55	2
430585	29.48	8	872728	29.43	4	AP3FCN000250	29.44	20
431089	29.48	7	872729	29.43	5	AP3HAA000303	29.41	23
4310935	29.48	9	872877	29.48	10	AP3HAA000305	29.41	11
433232	29.48	13	873451	29.49	3	AP3HAA000306	29.41	13
433800	28.26	12	873651	29.45	8	AP3HAA000307	29.47	1
434541	29.46	3	873652	29.45	7	AP3HAA000309	29.47	7
434673	29.48	20	874912	28.31	1	AP3HAA000385	29.47	3
4348555	29.49	2	878647	29.48	2	AP3HDN000119	29.47	4
483226	29.48	5	878651	29.48	6	AP3HDN000122	29.41	15
483889	29.49	5	890020	28.18	4	AP3HVA000301	29.41	3
485731	29.48	15	890225	29.29	5	AP3HVA000302	29.41	21
486075	29.47	9	890494	29.44	18	AP3IBA000317	29.51	4
487936	29.48	11	894131	28.14	5	AP3IDA000524	29.51	9
504305	29.44	22	894132	28.14	5	AP3IDA000525	29.51	8
58115R	28.38	11	895342	29.43	8	AP3IDA000735	29.51	6
583158	28.39	15	895343	29.43	8	AP3LAA000173	29.55	8
597633	28.23	11	8953440001	29.43	2	AP3LCA000323	29.55	12
597687	28.23	13	8953440002	29.43	2	AP3LDA000324	29.55	7
614188	29.29	4	8953440003	29.43	2	AP3LZA000564	29.55	1
640485	29.44	17	8953440004	29.43	2	AP3MAA000753	29.48	17
665909	28.23	12	8953450001	29.43	2	AP3MZA000799	29.50	1
665924	28.23	7	8953450002	29.43	2	AP3MZA000801	29.50	8
665925	28.23	6	8953450003	29.43	2	AP3NAA000357	29.52	9
665957	28.23	10	8953450004	29.43	2	AP3NBA000822	29.52	7
666880	28.32	4	896472	29.54	1	AP3NCA000847	29.52	8
666881	28.34	2	AP1IBA000843	29.51	1	AP3NCA000851	29.52	8
672342	28.17	9	AP2DBN000133	29.43	1	AP3NDA000849	29.52	10
709099	29.29	8	AP2DCA000254	29.46	1	AP3NDA000853	29.52	10
82518R	29.48	3	AP2DEN000135	29.47	2	AP3NVA000838	29.52	6
82650R	29.46	2	AP2DEN000135	29.51	7	AP3QCA000647	29.53	5
82753R	29.48	4	AP2FAN000107	29.42	2	AP3QEA000365	29.53	4
827595	29.48	6	AP2HAA000308	29.47	10	AP3QEA000763	29.53	3
828717	29.48	18	AP2ICA000319	29.51	2	AP4ABN000117	29.44	6
82893R	29.44	3	AP2QCA000648	29.53	1	AP4ABN000132	29.46	10
830580	29.48	2	AP3ADN000115	29.44	5	AP4ADN000012	29.52	5
832720	29.49	6	AP3ATN000118	29.45	2	AP4ADN000014	29.29	3
833673	29.48	10	AP3AVN000197	29.46	6	AP4ADN000014	29.44	4
833674	29.48	9	AP3BAA000207	29.44	19	AP4ADN000014	29.47	8
834044	29.48	19	AP3BAN000246	29.44	2	AP4ADN000014	29.50	10
840197	29.48	20	AP3BDN000273	29.48	16	AP4ADN000016	29.41	25
842204	29.49	4	AP3BDN000273	29.49	10	AP4ADN000017	29.50	3
844621	29.48	14	AP3CAA000399	29.45	3	AP4ADN000017	29.50	3
847928	29.46	4	AP3CBA000674	29.45	4	AP4ADN000141	29.41	7
849898	29.29	6	AP3CBA000675	29.45	4	AP4ADN000142	29.41	8
852756	29.52	1	AP3CBA000677	29.45	5	AP4ADN000143	29.41	27
852758	29.41	22	AP3CGA000635	29.44	12	AP4ADN000144	29.41	26
852932	29.47	5	AP3CHA000237	29.44	11	AP4ADN000145	29.41	19
852953	28.17	10	AP3CIA000238	29.44	13	AP4ADN000248	29.44	16
852995	29.41	10	AP3CLA000636	29.44	8	AP4ADN000266	29.55	3

Code	No. table	Pos.	Code	No. table	Pos.	Code	No. table	Pos.
AP4ADN000286	29.51	3	AP8152351	28.11	9	JC11342X05300	29.50	9
AP4ADN000286	29.54	3	AP8152351	28.16	9	JC11A00X05300	29.44	1
AP4ADN000287	29.51	5	AP8163285	28.04	1	JC11A00X05400	29.44	1
AP4ADN000287	29.54	4	AP8202449	28.07	10	JC13101X05300	29.29	2
AP4ADN000294	29.54	6	AP8202449	28.10	8	JC13700X94000	28.27	1
AP4AUN000253	29.54	7	AP8202449	28.11	10	JC13721X92000	28.27	2
AP4DAN000160	29.55	11	AP8202449	28.13	13	JC13731X94000	28.27	5
AP4EAN000134	29.41	24	AP8213586	28.20	3	JC13732X92000	28.27	3
AP4EAN000146	29.41	20	AP8220471	28.16	15	JC13741X94000	28.27	7
AP4EAN000147	29.41	14	AP8520197	28.31	20	JC13742X92000	28.27	6
AP4EAN000148	29.41	12	CM013202	28.39	19	JC13743X92000	28.27	4
AP4EAN000216	29.47	6	CM081711	29.29	1	JC13744X92000	28.27	12
AP4EAN000252	29.55	4	CM081712	29.29	1	JC13751X92000	28.27	11
AP4EBN000162	29.55	9	CM1038045	29.49	3	JC13761X92000	28.27	10
AP4EBN000167	29.52	3	CM144021	29.48	12	JC13762X92000	28.27	9
AP4EBN000228	29.41	16	CM144022	29.48	12	JC13811X94000	28.16	14
AP4FCN000324	29.41	28	CM144127	29.48	1	JC14181X92000	28.31	8
AP4FDN000034	29.55	6	CM144136	29.48	1	JC14182X92000	28.31	10
AP4FDN000327	28.25	5	CM144403	29.49	1	JC14190X92000	28.31	9
AP4GAN000136	29.41	18	CM144409	29.49	1	JC14320X94000	28.31	6
AP4GAN000137	29.41	17	CM220401	28.17	7	JC14781X92000	28.31	2
AP4GAN000154	29.52	2	CM220832	28.17	8	JC14782X92000	28.31	5
AP4GAN000155	29.52	4	CM222701	29.45	6	JC14783X92000	28.31	3
AP4GAN000156	29.55	10	CM222702	29.45	6	JC14786X92000	28.31	17
AP4GAN000263	29.41	6	CM222703	29.45	6	JC171008XJ01	28.05	15
AP4GAN000301	29.50	2	CM222704	29.45	6	JC17110X92000	28.24	10
AP8102375	28.09	6	CM222705	29.45	6	JC17121X92000	28.24	8
AP8102375	28.10	10	CM222706	29.45	6	JC17122X92000	28.24	11
AP8102375	28.14	3	CM222707	29.45	6	JC17123X92000	28.24	9
AP8120416	28.39	14	CM222708	29.45	6	JC17710X94000	28.24	1
AP8122427	28.32	8	CM222709	29.45	6	JC17721X92000	28.24	5
AP8127305	28.20	4	CM222710	29.45	6	JC17730X92000	28.24	2
AP8127305	28.21	5	CM222711	29.45	6	JC17760X94000	28.01	5
AP8127489	28.36	6	CM222712	29.45	6	JC17811X05300	29.55	5
AP8127489	28.37	5	CM222801	29.43	7	JC17851X92000	28.25	11
AP8127847	28.38	2	CM222802	29.43	7	JC17852X92000	28.25	9
AP8128186	28.31	12	CM222803	29.43	7	JC17853X92000	28.25	7
AP8133734	28.21	1	CM225301	29.30	1	JC17854X94000	28.25	8
AP8133809	28.20	2	CM225302	29.30	1	JC17911X94000	28.25	1
AP8133811	28.21	2	JC02142X05203	28.07	12	JC17931X94000	28.25	2
AP8133812	28.21	10	JC02142X05253	28.08	3	JC18442X94000	28.28	1
AP8133815	28.33	2	JC02142X06163	28.13	3	JC18443X94000	28.28	4
AP8133851	28.33	1	JC02142X06163	28.24	6	JC18444X94000	28.28	3
AP8133946	28.35	2	JC02142X06163	28.40	9	JC18445X94000	28.28	2
AP8150053	28.04	9	JC02142X06203	28.25	3	JC32100X05300	29.54	2
AP8150373	28.05	7	JC09119X92000	28.40	4	JC32371X05300	29.54	9
AP8150392	28.19	4	JC09132X92000	28.37	7	JC32800X94000	28.38	6
AP8150413	28.07	4	JC09133X92000	28.37	8	JC33210X94000	28.39	4
AP8150413	28.09	4	JC09137X92000	28.07	11	JC33400X94000	28.39	9
AP8150413	28.11	3	JC09137X92000	28.37	6	JC33510X94000	28.39	10
AP8150413	28.12	4	JC09147X92000	28.37	9	JC33651X92000	28.39	16
AP8150413	28.13	10	JC09168X05400	29.49	7	JC33652X92000	28.39	18
AP8150413	28.17	4	JC09181X05400	29.49	9	JC33653X92000	28.39	17
AP8150413	28.18	3	JC09354X00300	29.41	9	JC33700X92000	28.39	11
AP8150423	28.15	8	JC09359X05300	28.25	13	JC33921X05300	29.29	7
AP8152244	28.34	1	JC09401X92000	28.25	12	JC33970X94000	28.31	18
AP8152268	28.20	9	JC09402X92000	28.25	10	JC34100X94000	28.18	1
AP8152279	28.01	6	JC09402X92000	28.28	6	JC35100X92000	28.36	1
AP8152285	28.01	3	JC09403X92000	28.25	6	JC35601X92000	28.36	4
AP8152285	28.38	4	JC09404X06431	28.26	16	JC35602X92000	28.36	7
AP8152299	29.50	12	JC09404X06431	29.41	29	JC35611X92000	28.36	5
AP8152302	28.09	5	JC09406X92000	28.28	5	JC35612X92000	28.36	8
AP8152302	28.11	8	JC09407XG9400	28.31	22	JC35710X92000	28.37	1
AP8152302	28.13	11	JC09408X94000	28.31	21	JC35711X92000	28.37	2
AP8152302	28.14	2	JC09800X92000	28.14	4	JC35712X92000	28.37	3
AP8152302	29.50	7	JC11121X05300	29.44	21	JC35910X92000	28.16	8
AP8152351	28.10	6	JC11341X05300	29.50	1	JC35970X92000	28.16	10

Code	No. table	Pos.	Code	No. table	Pos.	Code	No. table	Pos.
JC36600X94000	28.38	1	JC471919200007B	28.16	1	JC48321X92000	28.11	12
JC36600X94000	28.39	1	JC471919200007C	28.16	1	JC48331X92000	28.10	3
JC36692X92000	28.28	7	JC471919200007D	28.16	1	JC48411X92000	28.07	9
JC36711X92000	28.39	2	JC471919200007L	28.16	1	JC48420XH0300	28.19	8
JC36712X92000	28.39	3	JC471919200007M	28.16	1	JC48421X92000	28.11	13
JC37000X94000	28.40	11	JC47191X92000	28.16	1	JC48431X92000	28.10	5
JC37100X92000	28.40	1	JC47231X92000	28.13	5	JC51351X92000	28.03	13
JC37111X94000	28.40	2	JC472919200006B	28.16	2	JC51410X92000	28.03	1
JC37200X92000	28.21	12	JC472919200006Z	28.16	2	JC51611X92000	28.03	7
JC37400X92000	28.20	12	JC472919200007B	28.16	2	JC51621X92000	28.03	10
JC37500X92000	28.20	11	JC472919200007C	28.16	2	JC51631X92000	28.03	9
JC37710X92000	28.20	10	JC472919200007D	28.16	2	JC51641X92000	28.03	4
JC37720X94000	28.21	13	JC472919200007L	28.16	2	JC51651X92000	28.03	5
JC37900X92000	28.21	11	JC472919200007M	28.16	2	JC51661X92000	28.03	6
JC37910X94000	28.39	12	JC47291X92000	28.16	2	JC51671X92000	28.03	11
JC38500X94000	28.38	3	JC47321X92000	28.07	6	JC52100X92000	28.03	2
JC38630X92000	28.38	10	JC47322X92000	28.07	8	JC52117X92000	28.04	3
JC39110X92000	28.38	9	JC47323X92000	28.07	7	JC52200X92000	28.03	3
JC41100X94000	28.01	1	JC47331X92000	28.13	1	JC52211X92000	28.04	18
JC41180X92000	28.05	2	JC47341X92000	28.13	2	JC52212X92000	28.04	17
JC41190X92000	28.05	1	JC473519200006B	28.13	6	JC52213X92000	28.04	16
JC41211X92000	28.05	8	JC473519200006Z	28.13	6	JC52214X92000	28.04	15
JC41212X92000	28.05	6	JC473519200007B	28.13	6	JC52215X92000	28.04	13
JC41214X92000	28.05	10	JC473519200007C	28.13	6	JC52216X92000	28.04	11
JC41215X92000	28.05	12	JC473519200007D	28.13	6	JC52217X92000	28.04	4
JC41216X92000	28.05	13	JC473519200007L	28.13	6	JC52218X92000	28.04	5
JC41217X92000	28.05	11	JC473519200007M	28.13	6	JC52219X92000	28.04	2
JC41218X92000	28.05	14	JC47351X92000	28.13	6	JC52220X92000	28.04	6
JC41970X92000	28.05	3	JC47361X92000	28.13	7	JC52230X92000	28.04	14
JC42100X92000	28.02	1	JC47372X94000	28.16	3	JC52240X92000	28.04	12
JC42210X92000	28.02	7	JC47461X92000	28.13	9	JC52250X92000	28.04	10
JC42222X92000	28.02	6	JC481119200006B	28.09	1	JC52260X92000	28.04	8
JC42313X92000	28.02	2	JC481119200006Z	28.09	1	JC52271X92000	28.04	7
JC42321XH0300	28.02	5	JC481119200007B	28.09	1	JC531119200006B	28.08	1
JC44110X94000	28.26	1	JC481119200007C	28.09	1	JC531119200006Z	28.08	1
JC44200X92000	28.26	6	JC481119200007D	28.09	1	JC531119200007B	28.08	1
JC44340X94000	28.26	9	JC481119200007L	28.09	1	JC531119200007C	28.08	1
JC44391X94000	28.26	8	JC481119200007M	28.09	1	JC531119200007D	28.08	1
JC44392X94000	28.26	7	JC48111X92000	28.09	1	JC531119200007L	28.08	1
JC44410X94000	28.26	11	JC481219400006B	28.09	3	JC531119200007M	28.08	1
JC44421X94000	28.31	19	JC481219400006Z	28.09	3	JC53111X92000	28.08	1
JC44448X92000	28.26	14	JC481219400007B	28.09	3	JC53312X92000	28.08	7
JC44491X92000	28.26	15	JC481219400007C	28.09	3	JC53313X92000	28.08	5
JC44492X92000	28.26	13	JC481219400007D	28.09	3	JC53412X92000	28.08	6
JC44511X92000	28.26	5	JC481219400007L	28.09	3	JC53511X92000	28.08	2
JC44600X94000	28.26	10	JC481219400007M	28.09	3	JC54110X92000	28.32	1
JC44911X94000	28.26	4	JC48121X94000	28.09	3	JC54610X94000	28.32	11
JC45100X94000	28.15	1	JC48131X92000	28.09	2	JC54661X92000	28.32	12
JC45100X94020	28.15	1	JC48141X92000	28.24	4	JC54711X92000	28.32	2
JC45100X94030	28.15	1	JC48142X92000	28.19	9	JC54721X92000	28.32	9
JC45100X94040	28.15	1	JC48211X92000	28.10	1	JC54751X92000	28.32	13
JC45116X92000	28.15	2	JC483119200006B	28.10	2	JC54810X92000	28.32	10
JC45211X92000	28.15	3	JC483119200006Z	28.10	2	JC54820X92000	28.32	7
JC45212X92000	28.15	4	JC483119200007B	28.10	2	JC55110X92000	28.32	4
JC45213X92000	28.15	6	JC483119200007C	28.10	2	JC55300XG1300	28.32	3
JC45611X92000	28.40	8	JC483119200007D	28.10	2	JC55300XG1300	28.34	4
JC45700X92000	28.40	7	JC483119200007L	28.10	2	JC56110X92000	28.19	1
JC45800X92000	28.40	6	JC483119200007M	28.10	2	JC563119200006B	28.07	2
JC46211X92000	28.17	1	JC48311X92000	28.10	2	JC563119200006Z	28.07	2
JC46212X92000	28.17	2	JC483129200006B	28.10	4	JC563119200007B	28.07	2
JC46212X92000	28.32	6	JC483129200006Z	28.10	4	JC563119200007C	28.07	2
JC46241X92000	28.17	5	JC483129200007B	28.10	4	JC563119200007D	28.07	2
JC46242X92000	28.17	6	JC483129200007C	28.10	4	JC563119200007L	28.07	2
JC46251X92000	28.17	3	JC483129200007D	28.10	4	JC563119200007M	28.07	2
JC47131X92000	28.13	4	JC483129200007L	28.10	4	JC56311X92000	28.07	2
JC471919200006B	28.16	1	JC483129200007M	28.10	4	JC563219200006B	28.07	1
JC471919200006Z	28.16	1	JC48321X92000	28.10	4	JC563219200006Z	28.07	1

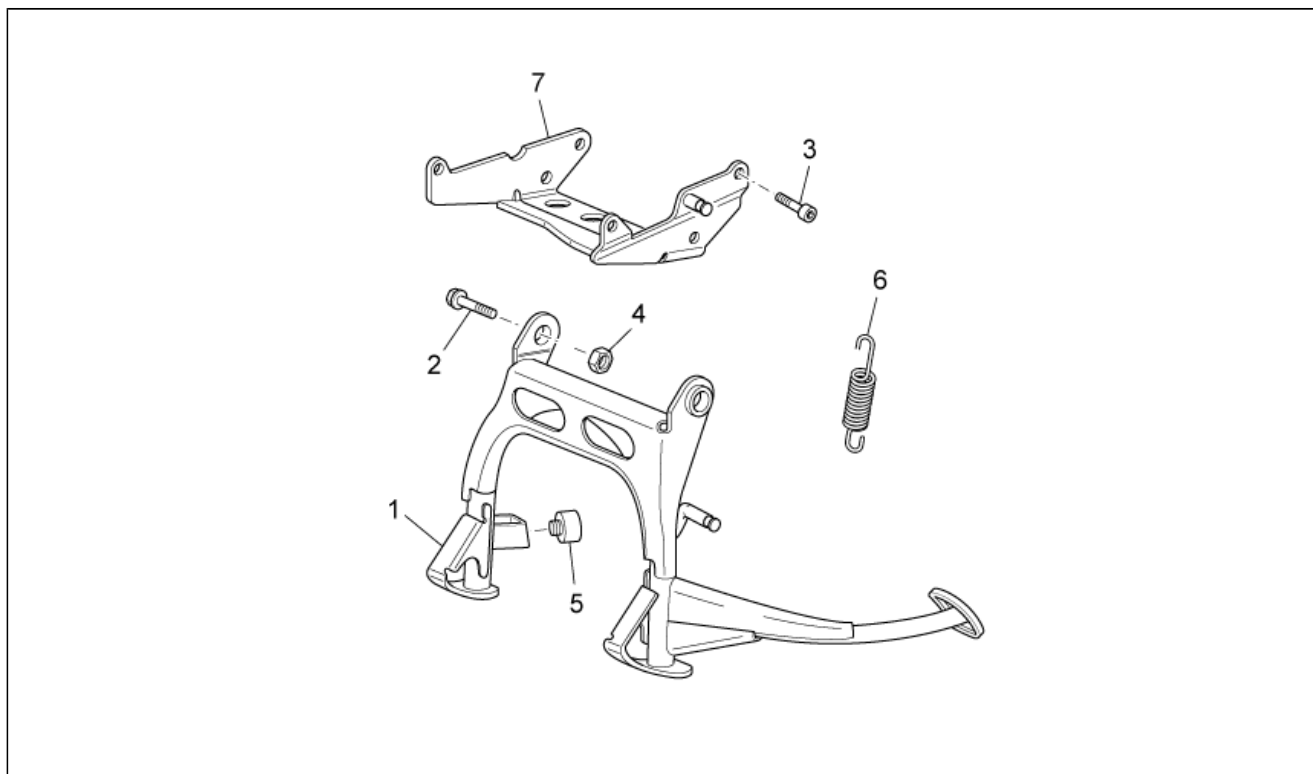
Code	No. table	Pos.	Code	No. table	Pos.	Code	No. table	Pos.
JC563219200007B	28.07	1	JC921519200007D	28.12	1	JCE41104219JN00	28.10	9
JC563219200007C	28.07	1	JC921519200007L	28.12	1	JCH10202000VYN00	28.05	9
JC563219200007D	28.07	1	JC921519200007M	28.12	1	JCLOG40X63500	28.03	8
JC563219200007L	28.07	1	JC92151X92000	28.12	1			
JC563219200007M	28.07	1	JC92161X92000	28.12	3			
JC56321X92000	28.07	1	JC92170X92000	28.15	7			
JC56322X92000	28.18	2	JC921819200006B	28.11	5			
JC56331X92000	28.07	3	JC921819200006Z	28.11	5			
JC56341X92000	28.07	5	JC921819200007B	28.11	5			
JC56351X92000	28.21	7	JC921819200007C	28.11	5			
JC56352X92000	28.21	8	JC921819200007D	28.11	5			
JC56353X92000	28.21	9	JC921819200007L	28.11	5			
JC56361X92000	28.20	6	JC921819200007M	28.11	5			
JC56362X92000	28.20	7	JC92181X92000	28.11	5			
JC56363X92000	28.20	8	JC92182X92000	28.11	7			
JC56500X94000	28.19	6	JC92183X92000	28.11	6			
JC56600X94000	28.19	7	JC92191X92000	28.11	2			
JC57110X92000	28.21	4	JC92211X94000	28.14	1			
JC57211X92000	28.20	5	JC92300X92000	28.40	5			
JC58300X94000	28.21	6	JC93300X92000	28.40	10			
JC58400X94000	28.21	14	JC96162X92000	28.12	2			
JC58511X94000	28.21	15	JCA20106012JN00	28.39	5			
JC59211X92000	28.32	5	JCA20106016JN00	28.40	3			
JC59480X92000	28.22	2	JCA20106025JN00	28.26	2			
JC59480X92000	28.23	2	JCA20106025JN00	28.38	7			
JC59491X92000	28.22	1	JCA20106030JN00	28.27	8			
JC59491X92000	28.23	1	JCA20106030JN00	28.39	13			
JC59492X92000	28.22	3	JCA20108020JN00	28.02	3			
JC59492X92000	28.23	3	JCA20108030JN00	28.31	16			
JC59671X92000	28.21	3	JCA20108035JN00	28.03	12			
JC61511X94000	28.31	11	JCA20108035JN00	28.06	2			
JC62100X92000	28.06	1	JCA20108045JN00	28.06	10			
JC62211X92000	28.06	7	JCA20108050JN00	28.06	8			
JC62311X92000	28.06	6	JCA20108050JN00	28.19	2			
JC63111X92000	28.16	4	JCA2010A050JN00	28.06	4			
JC63113X94000	28.16	12	JCA20178030JN00	28.34	6			
JC63114X94000	28.16	13	JCA20178030JN00	28.35	3			
JC63120X92000	28.01	2	JCA2018A085JN00	28.05	4			
JC63211X92000	28.16	5	JCB20100800JN00	28.31	7			
JC63320X94000	29.50	4	JCB51100500JN00	28.08	4			
JC63323X92000	29.50	5	JCB51100600JN00	28.15	5			
JC64110X92000	28.34	3	JCB51100600JN00	28.16	7			
JC64741X92000	28.34	8	JCB51100600JN00	28.38	8			
JC64751X92000	28.34	7	JCB51100800JN00	28.06	9			
JC65110X92000	28.34	2	JCB51100800JN00	28.19	3			
JC68611X94003	28.09	8	JCB51100800JN00	28.38	5			
JC68621X94000	28.16	11	JCB51201000JN00	28.02	4			
JC68623X94003	28.16	17	JCB51201000JN00	28.05	5			
JC68624X94003	28.16	18	JCB51201000JN00	28.06	5			
JC68625X92000	28.11	14	JCB51201000JN00	28.19	5			
JC68625X93000	28.11	14	JCB56100300JN00	28.39	7			
JC68643X92000	28.09	7	JCB56100800JN00	28.31	15			
JC68675X94000	28.11	15	JCC20108070JN00	28.31	13			
JC69100X94000	28.35	1	JCC2010X6170W	29.41	30			
JC69211X92000	28.34	5	JCC20178030JN00	28.33	3			
JC69400X94000	28.22	4	JCC42163025JN00	28.39	6			
JC69430X92000	28.23	8	JCC43166016JN00	28.16	6			
JC69600X94000	28.20	1	JCC4316X5010L	29.54	5			
JC70005X00300	29.45	1	JCD10200800JN00	28.31	14			
JC92111X92000	28.12	5	JCD11200300JN00	28.39	8			
JC92121X92000	28.11	4	JCD11200400JN00	28.24	12			
JC92131X92000	28.11	1	JCD11200500RN00	28.31	4			
JC92141X92000	28.11	11	JCD11200600JN00	28.16	16			
JC921519200006B	28.12	1	JCD22100800VYN00	28.06	3			
JC921519200006Z	28.12	1	JCE41104216JN00	28.13	8			
JC921519200007B	28.12	1	JCE41104216JN00	28.24	3			
JC921519200007C	28.12	1	JCE41104216JN00	29.50	6			

Group	FRAME
Code	28.01
Description	Frame
Service	1



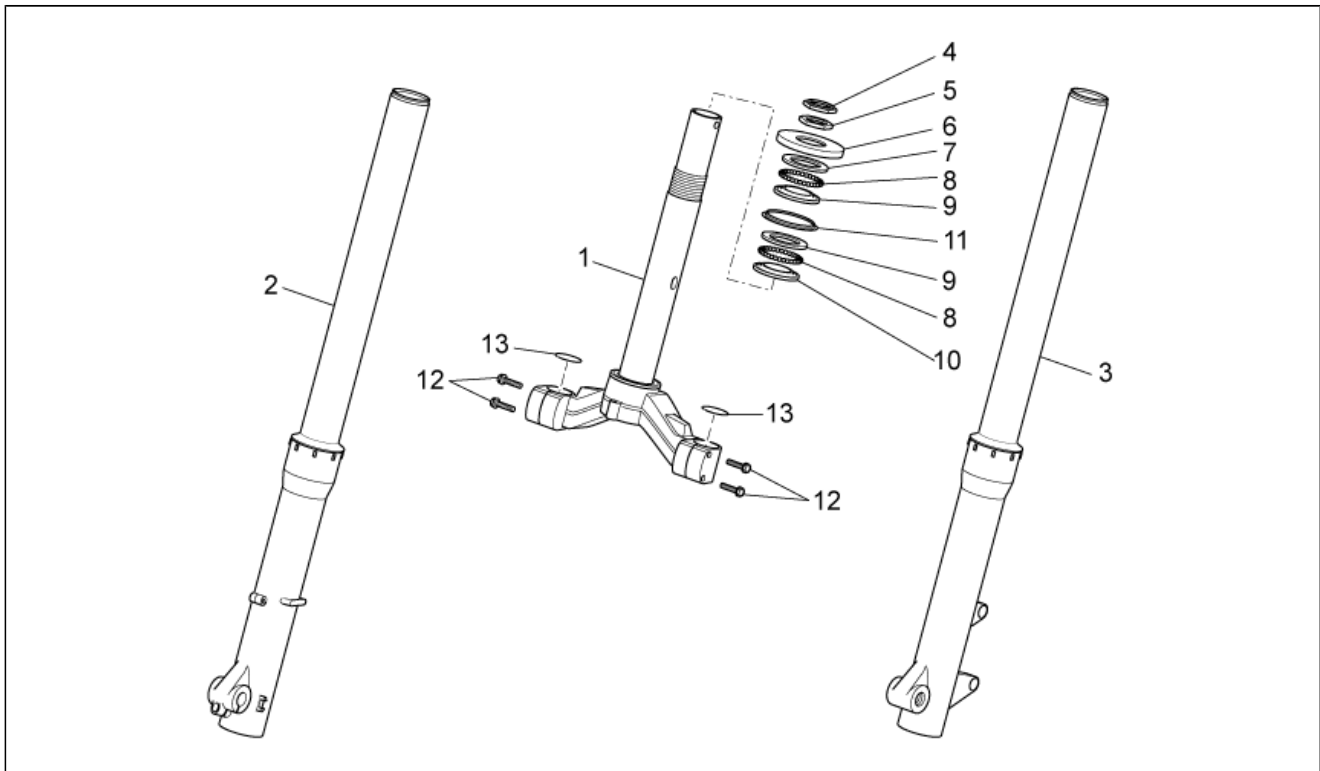
Pos.	Code	Description	Qty	Variants
1	JC41100X94000	Frame	1	
2	JC63120X92000	Rear mudguard supp.	1	
3	AP8152285	Screw w/ flange	3	
4	254485	Spring plate M6	3	
5	JC17760X94000	Plate	1	
6	AP8152279	Screw w/ flange M6x20	1	

Group	FRAME
Code	28.02
Description	Central stand
Service	1



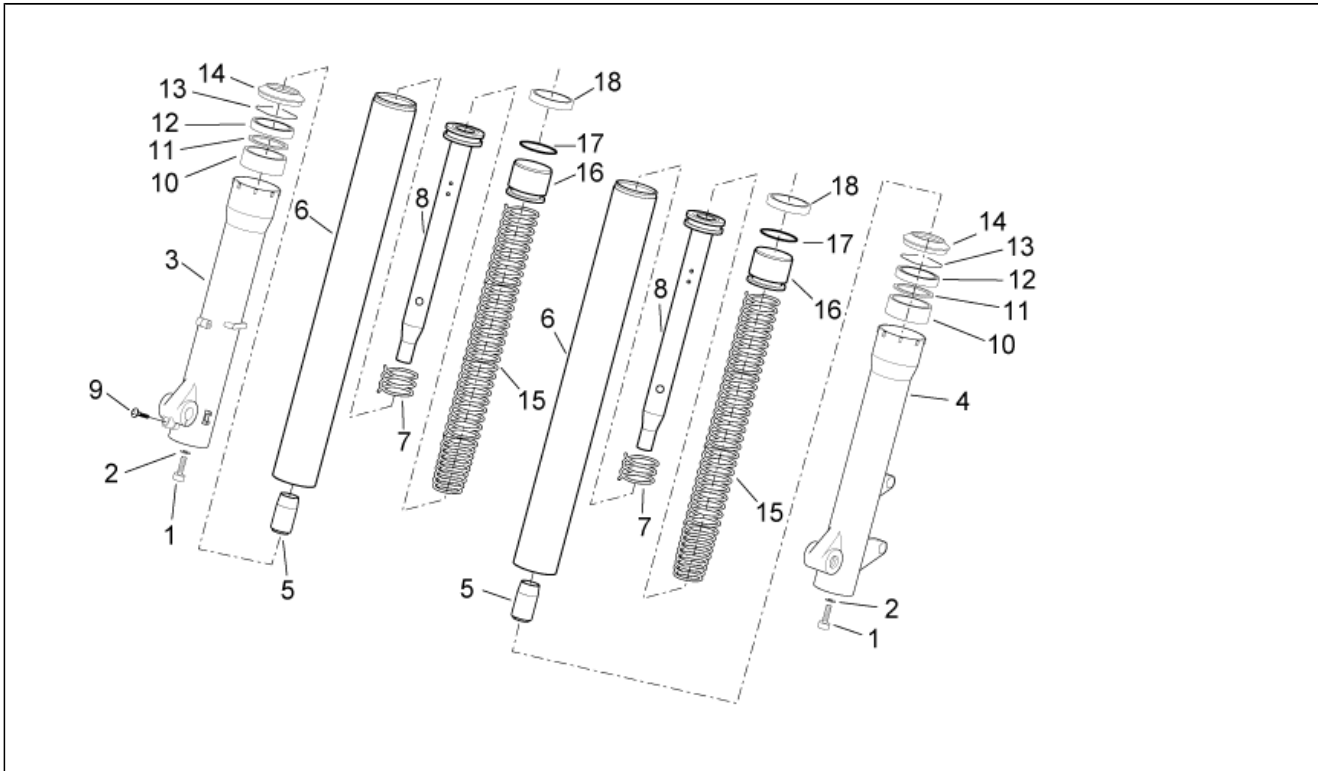
Pos.	Code	Description	Qty	Variants
1	JC42100X92000	Cat. Central stand	1	
2	JC42313X92000	Hex socket screw	2	
3	JCA20108020JN00	Hex socket screw M8x20	3	
4	JCB51201000JN00	Nut	2	
5	JC42321XH0300	Stand end stop	1	
6	JC42222X92000	Spring	2	
7	JC42210X92000	Stand support	1	

Group	FRAME
Code	28.03
Description	Front fork I
Service	1



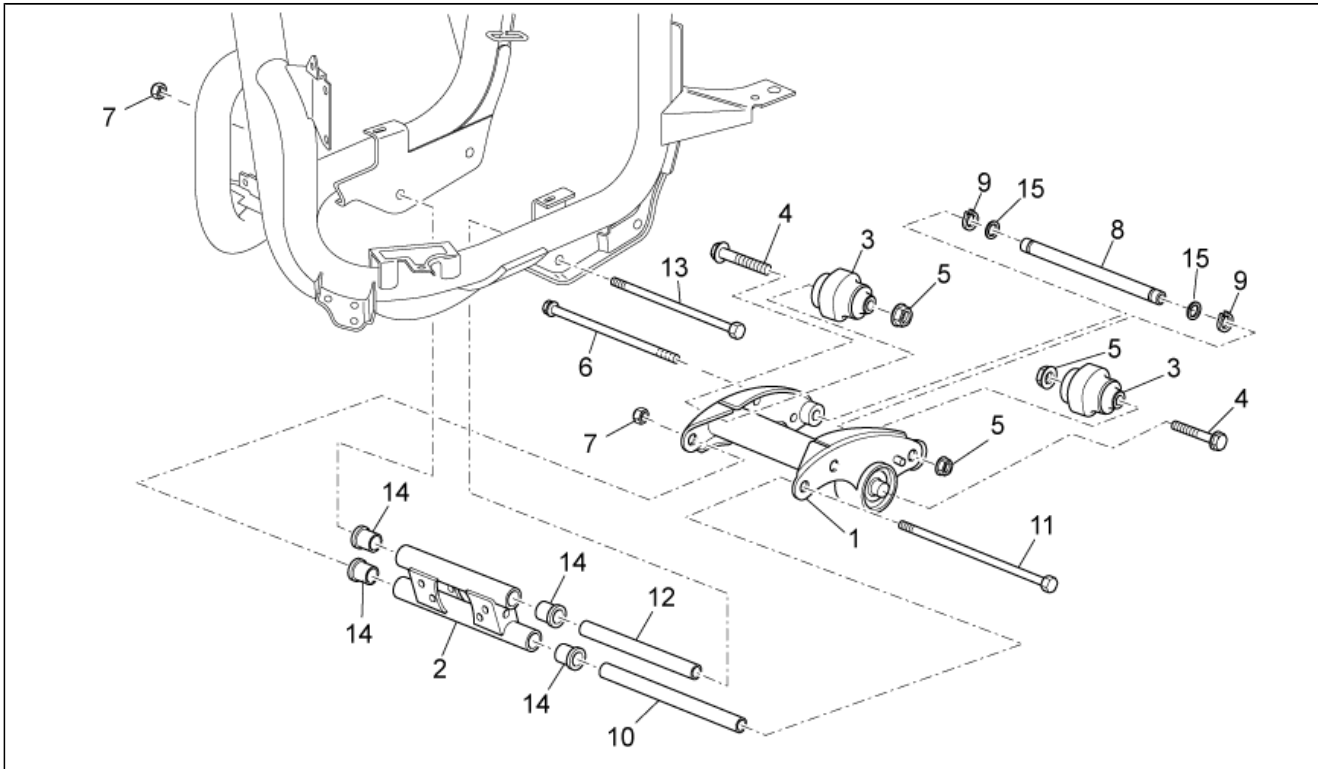
Pos.	Code	Description	Qty	Variants
1	JC51410X92000	Stem base	1	
2	JC52100X92000	RH hub cpl.	1	
3	JC52200X92000	LH hub cpl.	1	
4	JC51641X92000	Nut	1	
5	JC51651X92000	Nut	1	
6	JC51661X92000	Dust shield	1	
7	JC51611X92000	Steering race	1	
8	JCLOG40X63500	Ball	24	
9	JC51631X92000	Steering race	2	
10	JC51621X92000	Steering race	1	
11	JC51671X92000	Dust cover ring	1	
12	JCA20108035JN00	Hex socket screw	4	
13	JC51351X92000	Stop ring	2	

Group	FRAME
Code	28.04
Description	Front fork II
Service	1



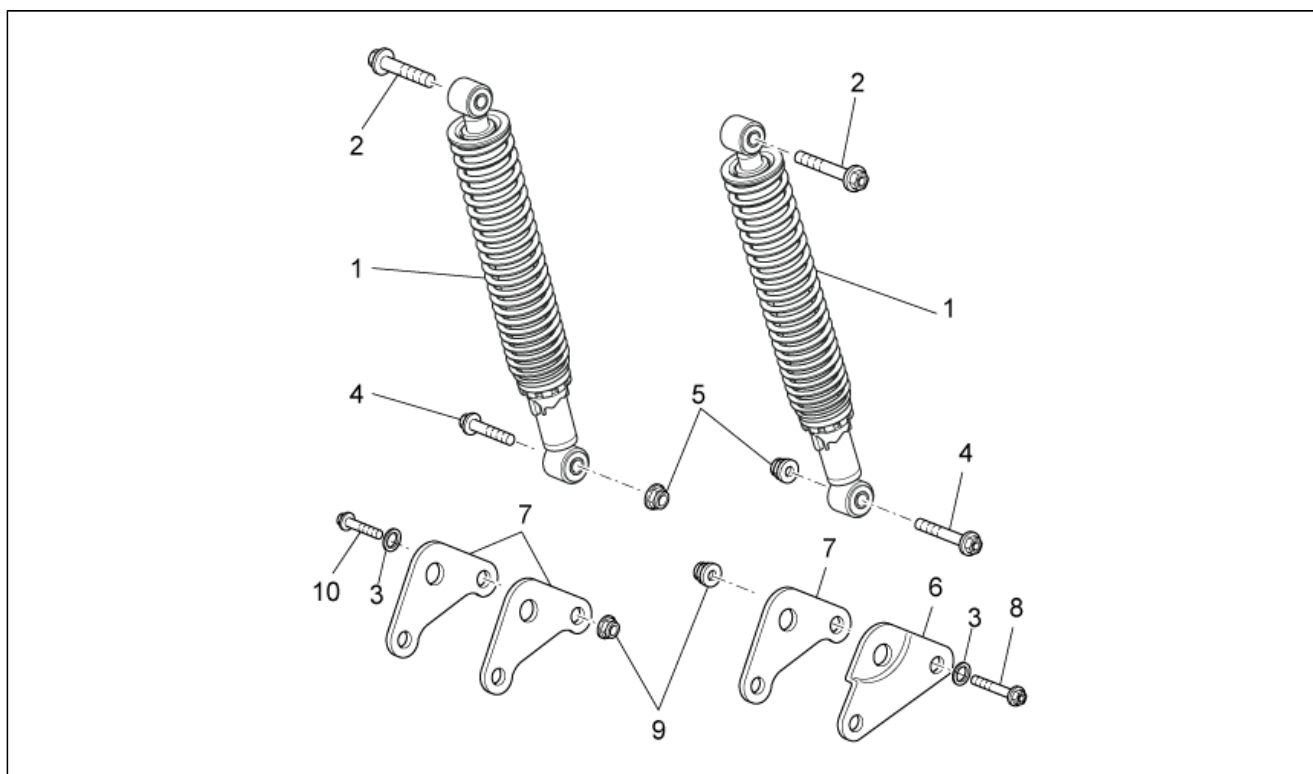
Pos.	Code	Description	Qty	Variants
1	AP8163285	Screw M10x30	2	
2	JC52219X92000	Seal washer	2	
3	JC52117X92000	RH sleeve	1	
4	JC52217X92000	LH sleeve	1	
5	JC52218X92000	Stroke limit stop	2	
6	JC52220X92000	Sleeve	2	
7	JC52271X92000	Return spring	2	
8	JC52260X92000	Shock absorber	2	
9	AP8150053	Hex socket screw M6x25	1	
10	JC52250X92000	Bush	2	
11	JC52216X92000	Oil seal washer	2	
12	JC52240X92000	Oil seal	2	
13	JC52215X92000	Stop ring	2	
14	JC52230X92000	Dust cover	2	
15	JC52214X92000	Spring	2	
16	JC52213X92000	Plug	2	
17	JC52212X92000	O-ring	2	
18	JC52211X92000	Plug	2	

Group	FRAME
Code	28.05
Description	Connecting rod
Service	1



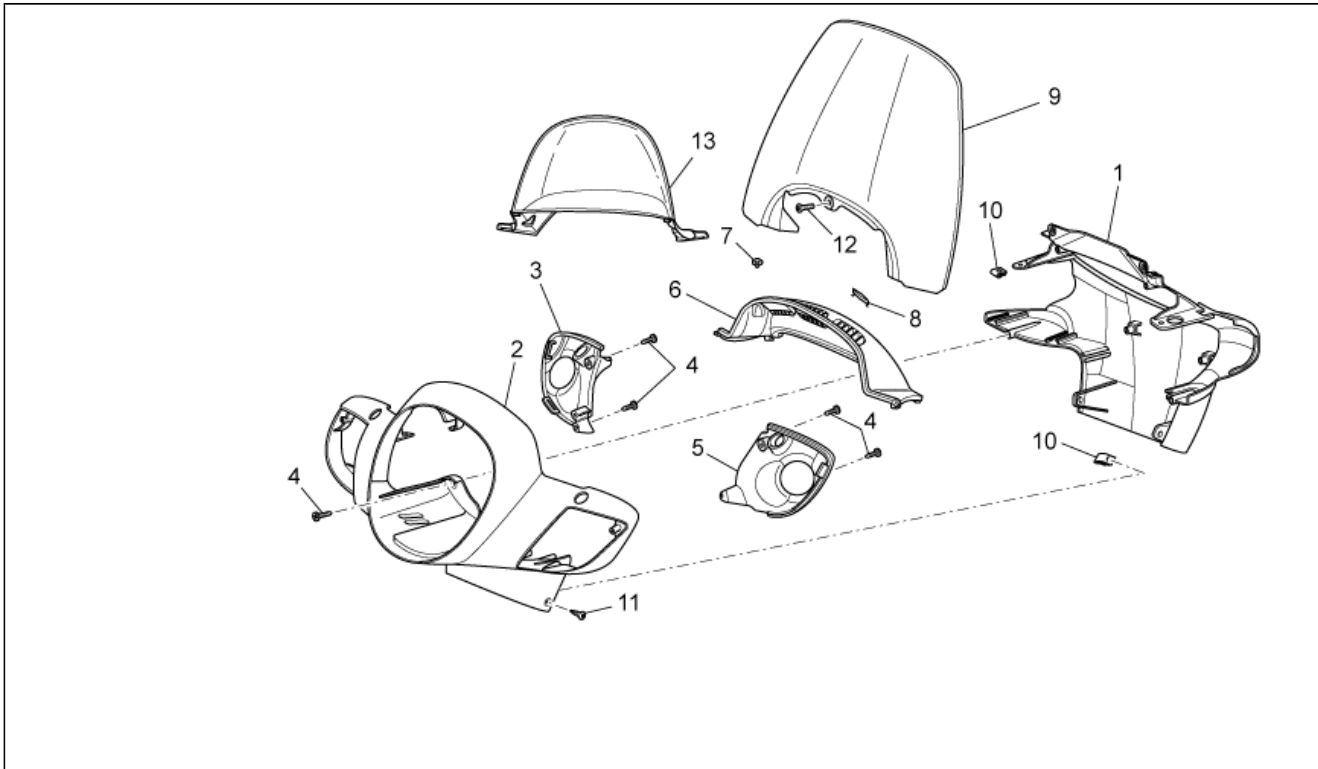
Pos.	Code	Description	Qty	Variants
1	JC41190X92000	Engine connecting element	1	
2	JC41180X92000	Frame coupling rod	1	
3	JC41970X92000	Silent-block, connecting rod	2	
4	JCA2018A085JN00	Screw w/ flange M10x85	2	
5	JCB51201000JN00	Nut	3	
6	JC41212X92000	Engine pivot pin	1	
7	AP8150373	Low self-locking nut M12x1,25	2	
8	JC41211X92000	Spacer	1	
9	JCH10202000YN00	Snap ring	2	
10	JC41214X92000	Spacer L=280	1	
11	JC41217X92000	Engine pivot pin	1	
12	JC41215X92000	Spacer L=210	1	
13	JC41216X92000	Frame pivot pin	1	
14	JC41218X92000	Bush	4	
15	JC171008XJ01	Spacer	2	

Group	FRAME
Code	28.06
Description	Rear shock absorber
Service	1



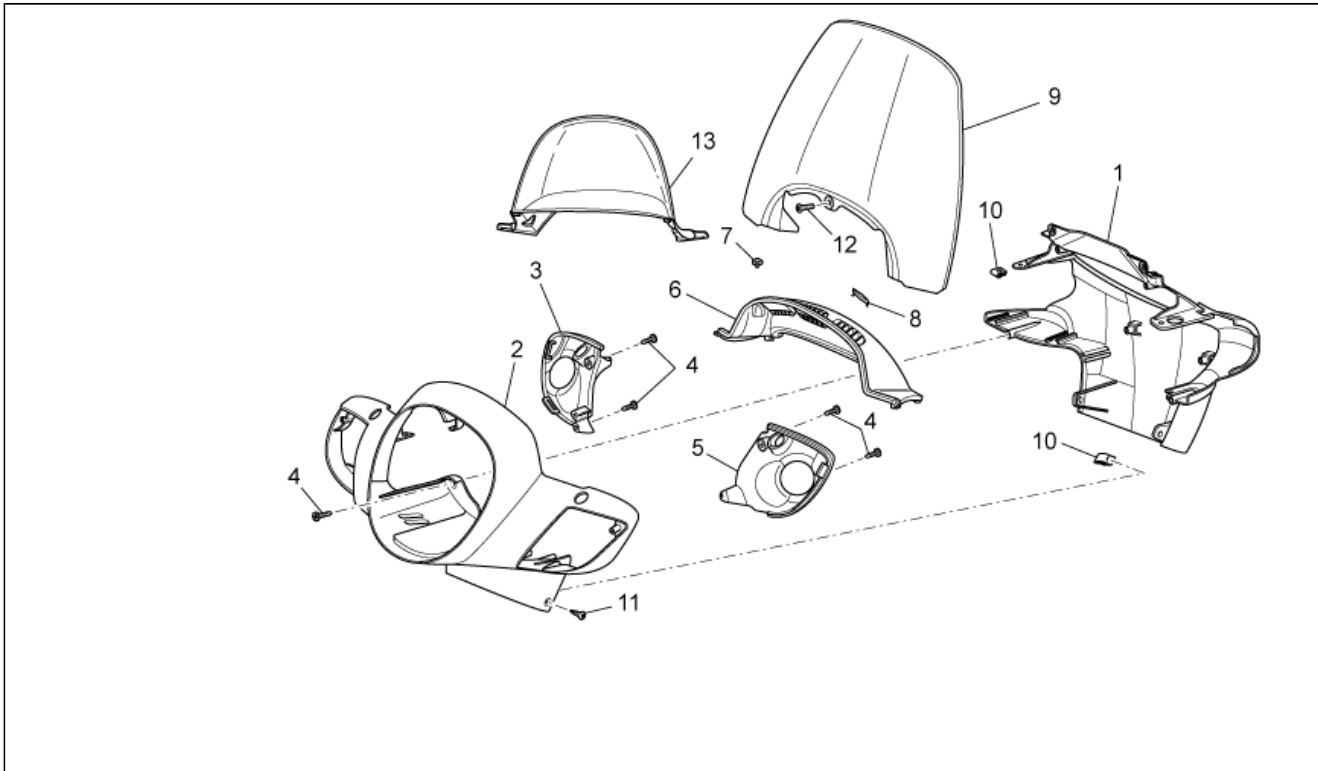
Pos.	Code	Description	Qty	Variants
1	JC62100X92000	Shock absorber	2	
2	JCA20108035JN00	Hex socket screw	2	
3	JCD22100800YN00	Washer	2	
4	JCA2010A050JN00	Screw M10x50	2	
5	JCB51201000JN00	Nut	2	
6	JC62311X92000	Support plate	1	
7	JC62211X92000	Support plate	3	
8	JCA20108050JN00	Screw	2	
9	JCB51100800JN00	Nut M8	4	
10	JCA20108045JN00	Screw M8x45	2	

Group	FRAME
Code	28.07
Description	Front body - Front fairing
Service	1



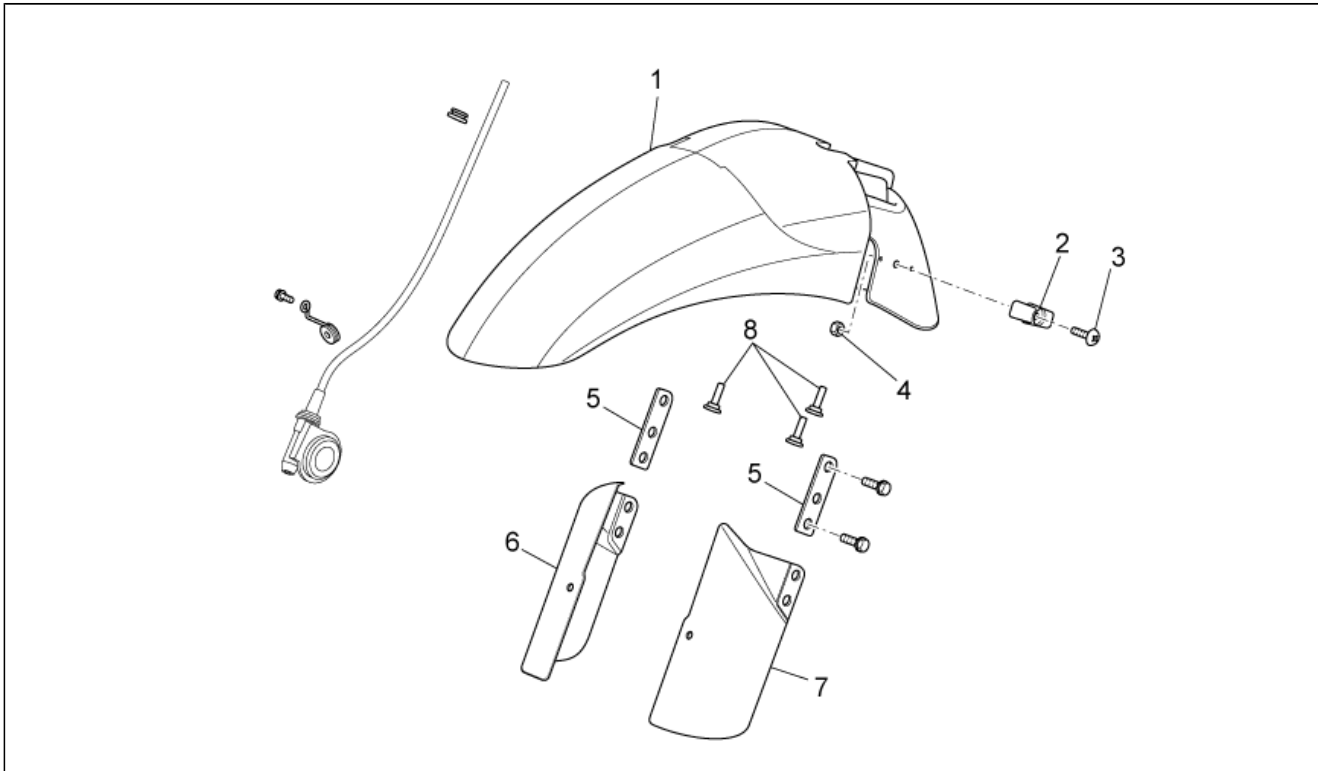
Pos.	Code	Description	Qty	Variants
1	JC563219200006B	Handlebar cover, blue	1	Vehicle colour:Blue Couture (s.t.893533)[blue]
1	JC563219200006Z	Handlebar cover, sky blue	1	Vehicle colour:Azzurro Jasmine (s.t.893534)[cyan]
1	JC563219200007B	Handlebar cover, black	1	Vehicle colour:Nero Aprilia (s.t.893530)[black]
1	JC563219200007C	Handlebar cover, grey	1	Vehicle colour:Silver Crowd (s.t.893531)[silver]
1	JC563219200007D	White handlebar cover	1	Vehicle colour:Bianco Flair "Net" (s.t.897553)[net], Bianco Flair-Cult (s.t.893532)[white]
1	JC563219200007L	Handlebar cover, green	1	Vehicle colour:Verde Cayman (s.t.895598)[green]
1	JC563219200007M	Handlebar cover	1	Vehicle colour:Giallo Prestige (s.t.895597)[yellow]
1	JC56321X92000	Handlebar cover blank	1	
2	JC563119200006B	Headlight support, blue	1	Vehicle colour:Blue Couture (s.t.893533)[blue]
2	JC563119200006Z	Headlight support, cyan	1	Vehicle colour:Azzurro Jasmine (s.t.893534)[cyan]
2	JC563119200007B	Headlight support, black	1	Vehicle colour:Nero Aprilia (s.t.893530)[black]
2	JC563119200007C	Headlight support, grey	1	Vehicle colour:Silver Crowd (s.t.893531)[silver]
2	JC563119200007D	Headlight support, white	1	Vehicle colour:Bianco Flair "Net" (s.t.897553)[net], Bianco Flair-Cult (s.t.893532)[white]
2	JC563119200007L	Headlight support, green	1	Vehicle colour:Verde Cayman (s.t.895598)[green]
2	JC563119200007M	Headlight support, yellow	1	Vehicle colour:Giallo Prestige (s.t.895597)[yellow]
2	JC56311X92000	Headlight support blank	1	
3	JC56331X92000	LH turn indicator	2	
4	AP8150413	Self-tap screw 3,9x14	4	
5	JC56341X92000	RH turn indicator	2	
6	JC47321X92000	Dashboard panel blank	2	
7	JC47323X92000	RH cover	2	
8	JC47322X92000	LH cover	2	
9	JC48411X92000	Windshield	1	
10	AP8202449	Clip	6	
11	JC09137X92000	Screw 4,2x13	6	
12	JC02142X05203	Screw	3	

Group	FRAME
Code	28.07
Description	Front body - Front fairing
Service	1



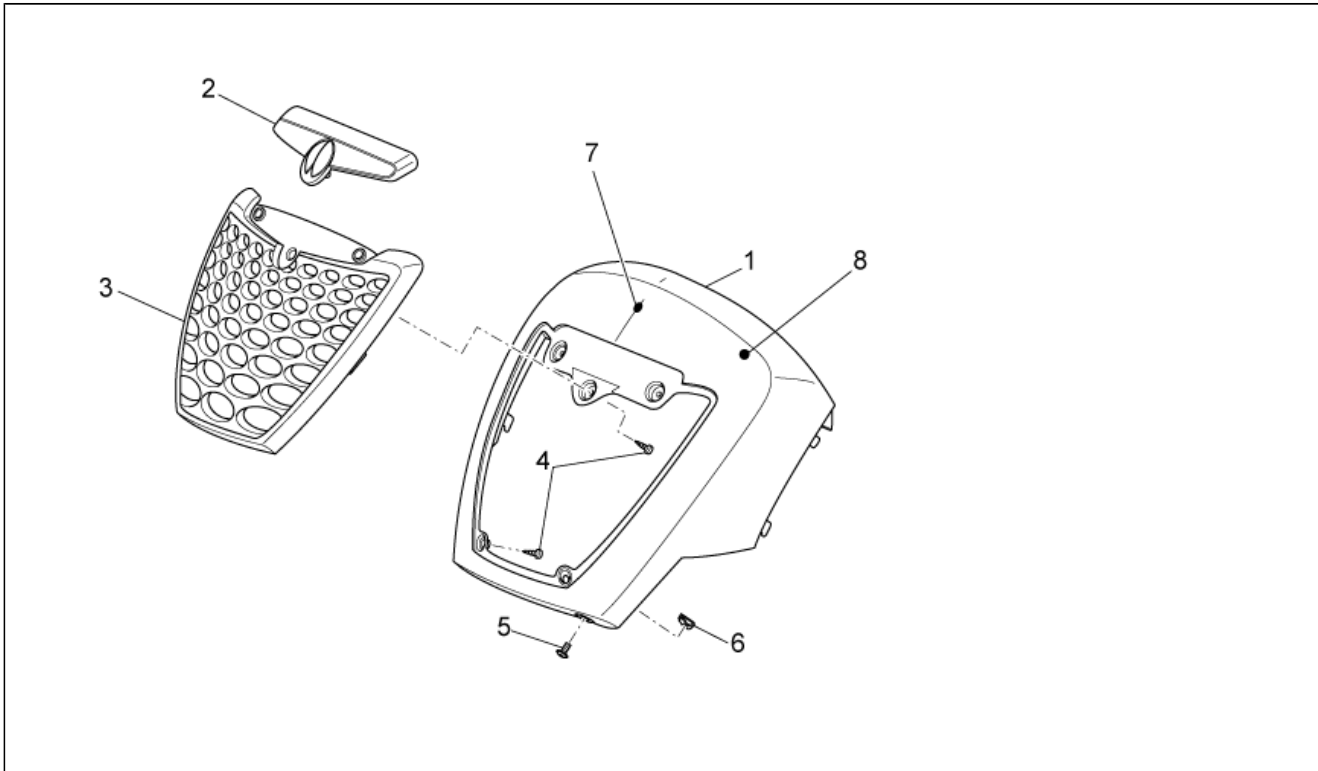
Pos.	Code	Description	Qty	Variants
13	854931	Windscreen	1	

Group	FRAME
Code	28.08
Description	Front body - Front mudguard
Service	1



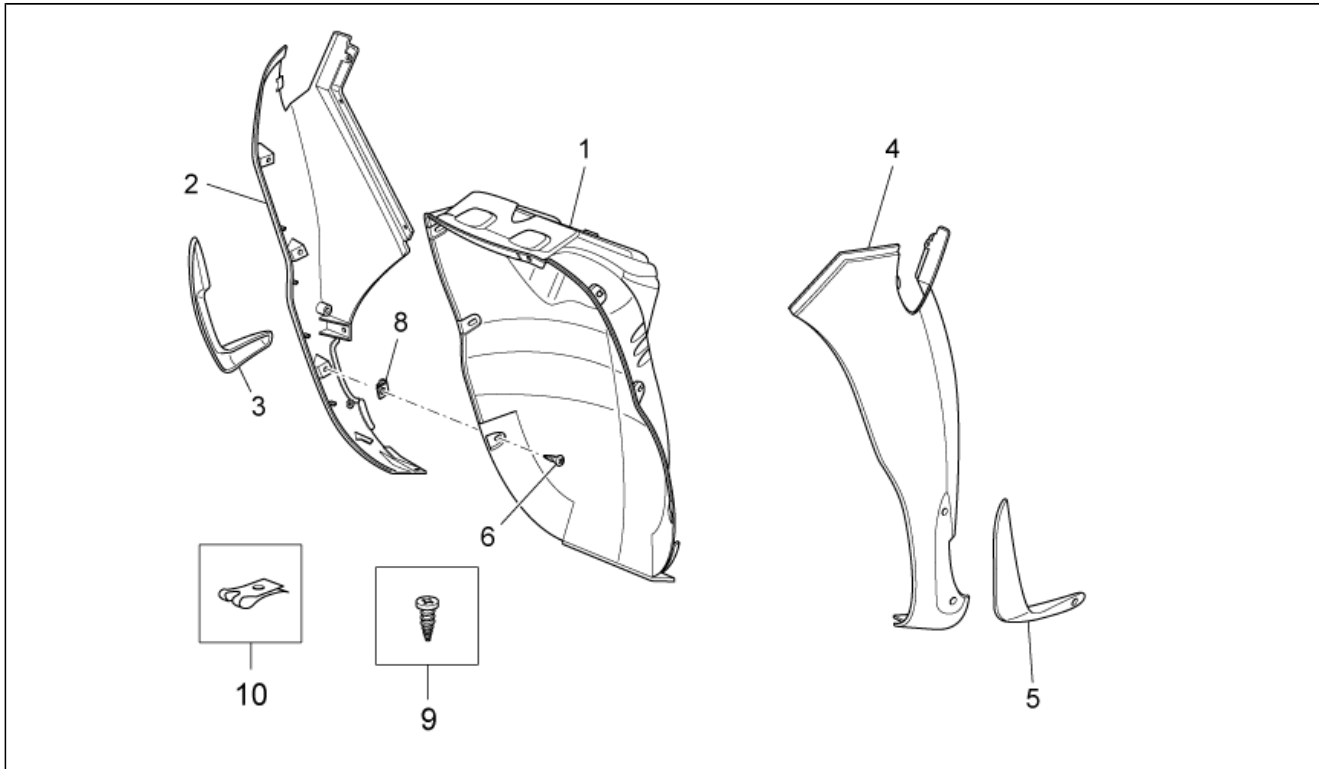
Pos.	Code	Description	Qty	Variants
1	JC531119200006B	Front mudguard, blue	1	Vehicle colour: Blue Couture (s.t.893533)[blue]
1	JC531119200006Z	Front mudguard, cyan	1	Vehicle colour: Azzurro Jasmine (s.t.893534)[cyan]
1	JC531119200007B	Front mudguard, black	1	Vehicle colour: Nero Aprilia (s.t.893530)[black]
1	JC531119200007C	Front mudguard, grey	1	Vehicle colour: Silver Crowd (s.t.893531)[silver]
1	JC531119200007D	Front mudguard, white	1	Vehicle colour: Bianco Flair "Net" (s.t.897553)[net], Bianco Flair-Cult (s.t.893532)[white]
1	JC531119200007L	Front mudguard, green	1	Vehicle colour: Verde Cayman (s.t.895598)[green]
1	JC531119200007M	Front mudguard, yellow	1	Vehicle colour: Giallo Prestige (s.t.895597)[yellow]
1	JC53111X92000	Front mudguard blank	1	
2	JC53511X92000	Cable-guide	1	
3	JC02142X05253	Hex socket screw	1	
4	JCB51100500JN00	Nut	1	
5	JC53313X92000	Plate	2	
6	JC53412X92000	RH hub cover	1	
7	JC53312X92000	LH hub cover	1	

Group	FRAME
Code	28.09
Description	Front body - Front cover
Service	1



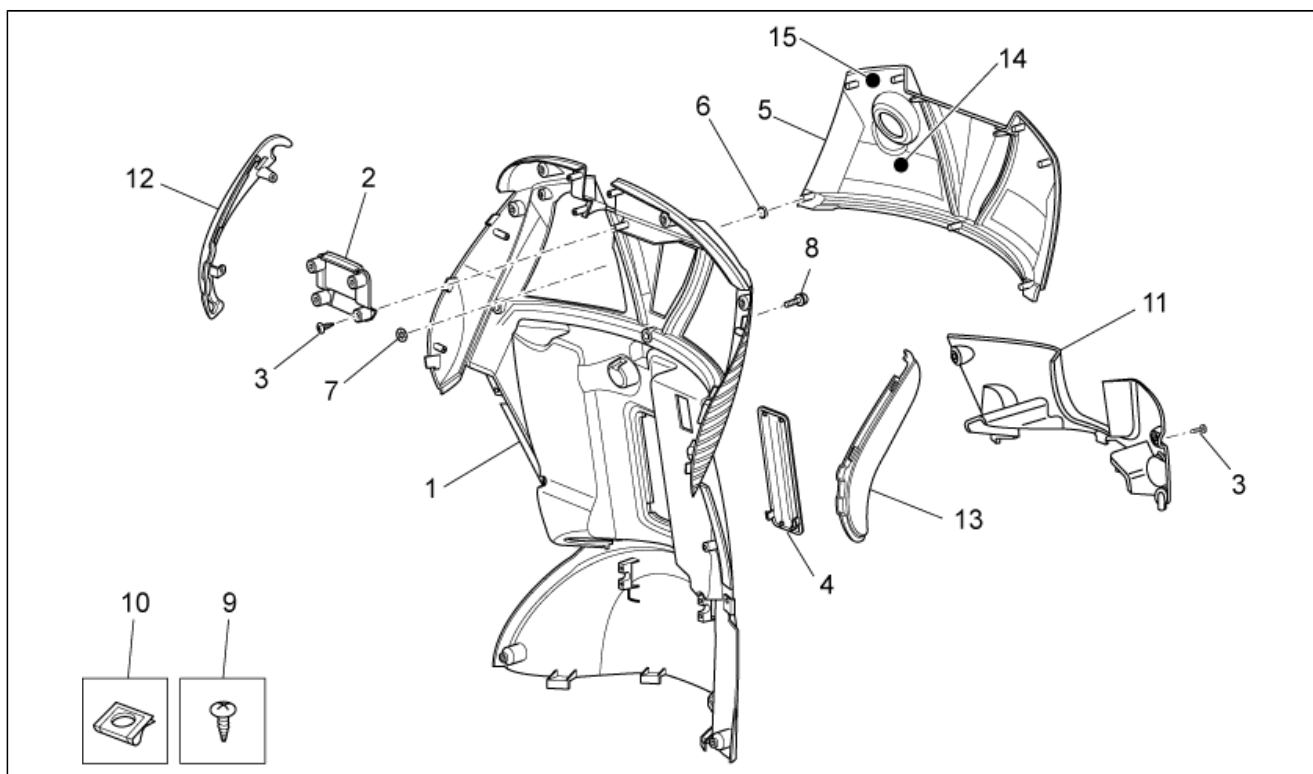
Pos.	Code	Description	Qty	Variants
1	JC481119200006B	Front fairing, blue	1	Vehicle colour:Blue Couture (s.t.893533)[blue]
1	JC481119200006Z	Front fairing, cyan	1	Vehicle colour:Azzurro Jasmine (s.t.893534)[cyan]
1	JC481119200007B	Front fairing, black	1	Vehicle colour:Nero Aprilia (s.t.893530)[black]
1	JC481119200007C	Front fairing, grey	1	Vehicle colour:Silver Crowd (s.t.893531)[silver]
1	JC481119200007D	Front fairing, white	1	Vehicle colour:Bianco Flair "Net" (s.t.897553)[net], Bianco Flair-Cult (s.t.893532)[white]
1	JC481119200007L	Front fairing, green	1	Vehicle colour:Verde Cayman (s.t.895598)[green]
1	JC481119200007M	Front fairing, yellow	1	Vehicle colour:Giallo Prestige (s.t.895597)[yellow]
1	JC48111X92000	Front fairing, blank	1	
2	JC48131X92000	Chrome finish	1	
3	JC481219400006B	Grid blue	1	Vehicle colour:Blue Couture (s.t.893533)[blue]
3	JC481219400006Z	Frame grille,sky blue	1	Vehicle colour:Azzurro Jasmine (s.t.893534)[cyan]
3	JC481219400007B	Grid black	1	Vehicle colour:Nero Aprilia (s.t.893530)[black]
3	JC481219400007C	Grid grey	1	Vehicle colour:Silver Crowd (s.t.893531)[silver]
3	JC481219400007D	Frame grille, white	1	Vehicle colour:Bianco Flair "Net" (s.t.897553)[net], Bianco Flair-Cult (s.t.893532)[white]
3	JC481219400007L	Grille, yellow	1	Vehicle colour:Verde Cayman (s.t.895598)[green]
3	JC481219400007M	Water cooler grille	1	Vehicle colour:Giallo Prestige (s.t.895597)[yellow]
3	JC48121X94000	Grille, blank	1	
4	AP8150413	Self-tap screw 3,9x14	5	
5	AP8152302	Screw w/ flange	2	
6	AP8102375	Clip	4	
7	JC68643X92000	Decal Aprilia	1	
8	JC68611X94003	Decal NET	1	Vehicle colour:Bianco Flair "Net" (s.t.897553)[net]

Group	FRAME
Code	28.10
Description	Front body - Front shield
Service	1



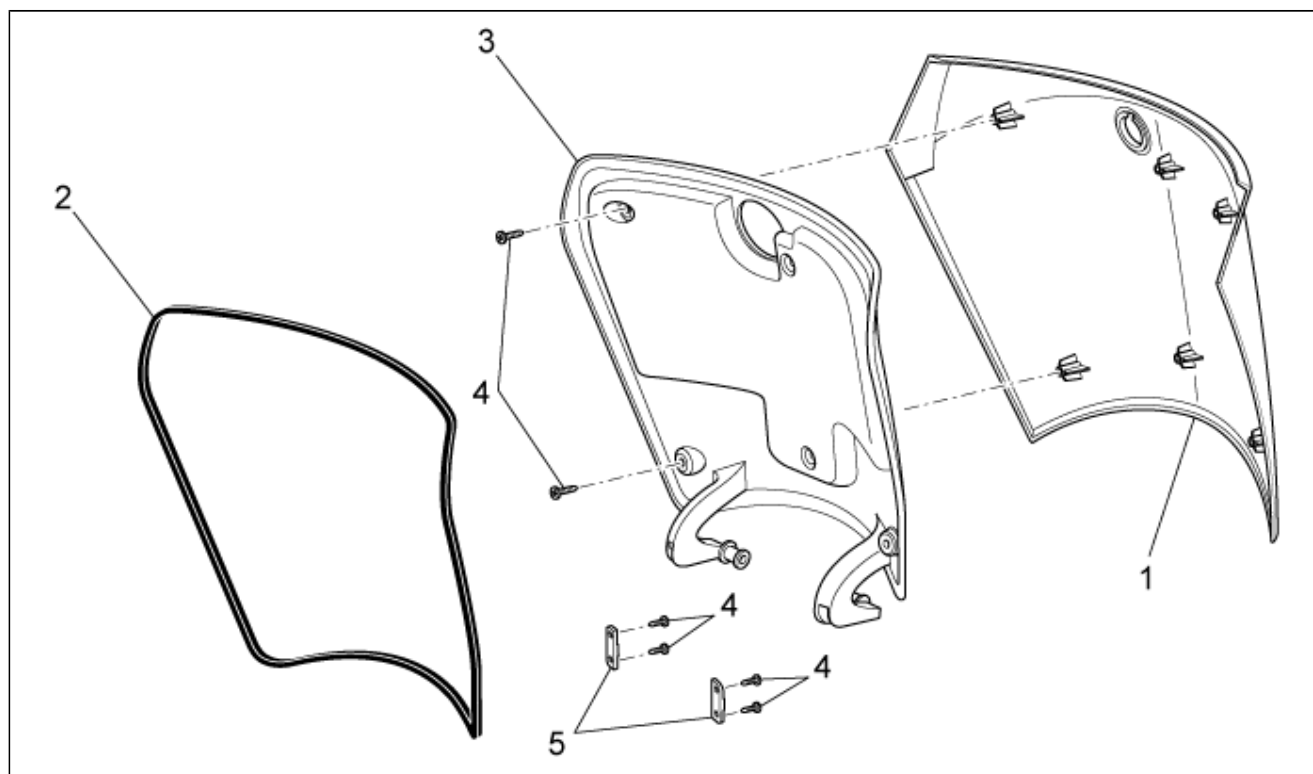
Pos.	Code	Description	Qty	Variants
1	JC48211X92000	Wheel compartment	1	
2	JC483119200006B	RH front fairing, blue	1	Vehicle colour:Blue Couture (s.t.893533)[blue]
2	JC483119200006Z	RH front fairing, sky blue	1	Vehicle colour:Azzurro Jasmine (s.t.893534)[cyan]
2	JC483119200007B	RH front fairing, black	1	Vehicle colour:Nero Aprilia (s.t.893530)[black]
2	JC483119200007C	RH front fairing, grey	1	Vehicle colour:Silver Crowd (s.t.893531)[silver]
2	JC483119200007D	RH front fairing, white	1	Vehicle colour:Bianco Flair "Net" (s.t.897553)[net], Bianco Flair-Cult (s.t.893532)[white]
2	JC483119200007L	RH front fairing, green	1	Vehicle colour:Verde Cayman (s.t.895598)[green]
2	JC483119200007M	RH front fairing, yellow	1	Vehicle colour:Giallo Prestige (s.t.895597)[yellow]
2	JC48311X92000	RH front fairing, blank	1	
3	JC48331X92000	RH spoiler, embossed	1	
4	JC483129200006B	LH front fairing, blue	1	Vehicle colour:Blue Couture (s.t.893533)[blue]
4	JC483129200006Z	LH front fairing, sky blue	1	Vehicle colour:Azzurro Jasmine (s.t.893534)[cyan]
4	JC483129200007B	LH front fairing, black	1	Vehicle colour:Nero Aprilia (s.t.893530)[black]
4	JC483129200007C	LH front fairing, grey	1	Vehicle colour:Silver Crowd (s.t.893531)[silver]
4	JC483129200007D	LH front fairing, white	1	Vehicle colour:Bianco Flair "Net" (s.t.897553)[net], Bianco Flair-Cult (s.t.893532)[white]
4	JC483129200007L	LH front fairing, green	1	Vehicle colour:Verde Cayman (s.t.895598)[green]
4	JC483129200007M	LH front fairing, yellow	1	Vehicle colour:Giallo Prestige (s.t.895597)[yellow]
4	JC48312X92000	LH front fairing, blank	1	
5	JC48431X92000	LH spoiler, embossed	1	
6	AP8152351	Screw 4,2x16*	6	
8	AP8202449	Clip	8	
9	JCE41104219JN00	Inox self tapping screw 2x19	2	
10	AP8102375	Clip	2	

Group	FRAME
Code	28.11
Description	Front body - Internal shield
Service	1



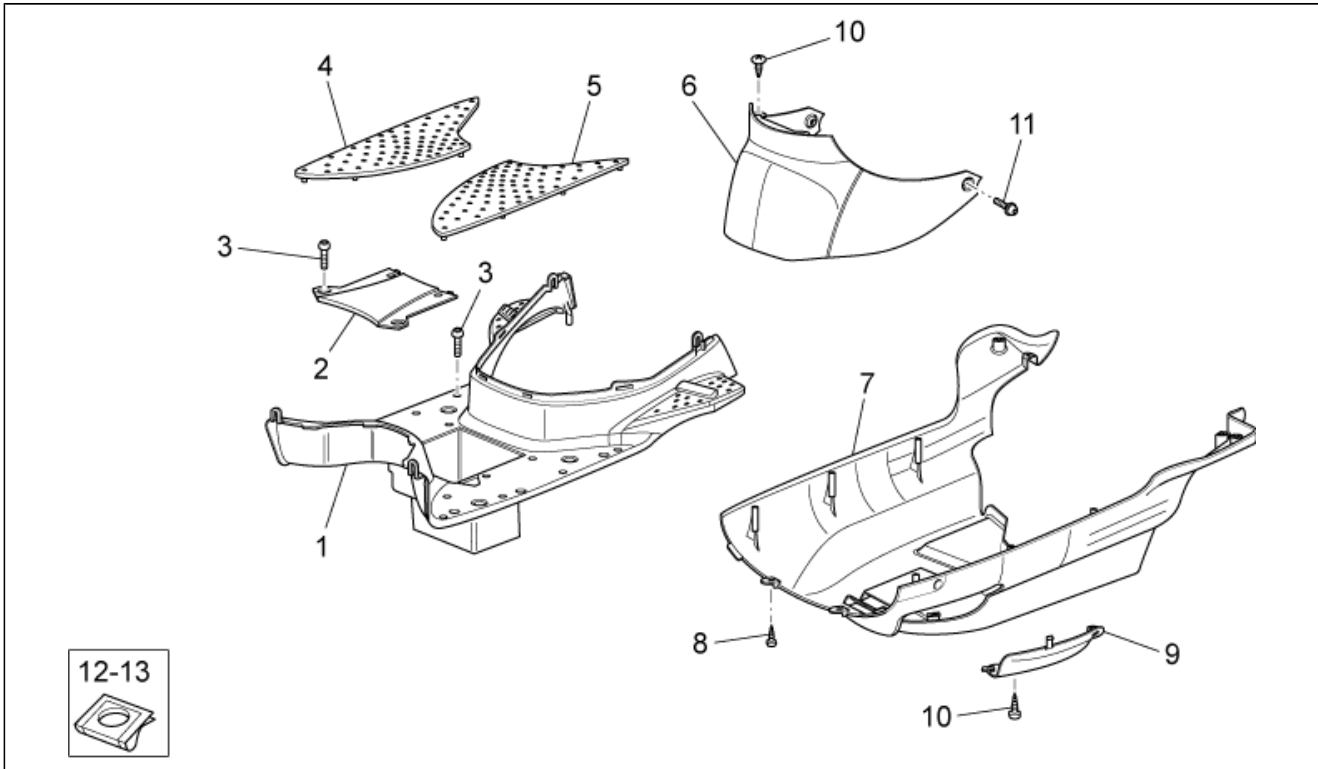
Pos.	Code	Description	Qty	Variants
1	JC92131X92000	Internal shield	1	
2	JC92191X92000	Front protection	1	
3	AP8150413	Self-tap screw 3,9x14	6	
4	JC92121X92000	Type appr.data cover	1	
5	JC921819200006B	Cover, blue	1	Vehicle colour:Blue Couture (s.t.893533)[blue]
5	JC921819200006Z	Cover, sky blue	1	Vehicle colour:Azzurro Jasmine (s.t.893534)[cyan]
5	JC921819200007B	Cover, black	1	Vehicle colour:Nero Aprilia (s.t.893530)[black]
5	JC921819200007C	Cover, grey	1	Vehicle colour:Silver Crowd (s.t.893531)[silver]
5	JC921819200007D	Cover, white	1	Vehicle colour:Bianco Flair-Cult (s.t.893532)[white]
5	JC921819200007L	Cover, green	1	Vehicle colour:Verde Cayman (s.t.895598)[green]
5	JC921819200007M	Cover	1	Vehicle colour:Giallo Prestige (s.t.895597)[yellow]
5	JC92181X92000	Cover, blank	1	
6	JC92183X92000	Plastic washer	1	
7	JC92182X92000	Clip	1	
8	AP8152302	Screw w/ flange	1	
9	AP8152351	Screw 4,2x16*	2	
10	AP8202449	Clip	6	
11	JC92141X92000	Glove box internal grille	1	
12	JC48321X92000	LH air intake	1	
13	JC48421X92000	RH air intake	1	
14	JC68625X92000	Decal 125	1	Technical Specifications:125 cc version[125]
14	JC68625X93000	Decal 200	1	Technical Specifications:200 cc version[200]
15	JC68675X94000	Decal "I.E."	1	

Group	FRAME
Code	28.12
Description	Central body I
Service	1



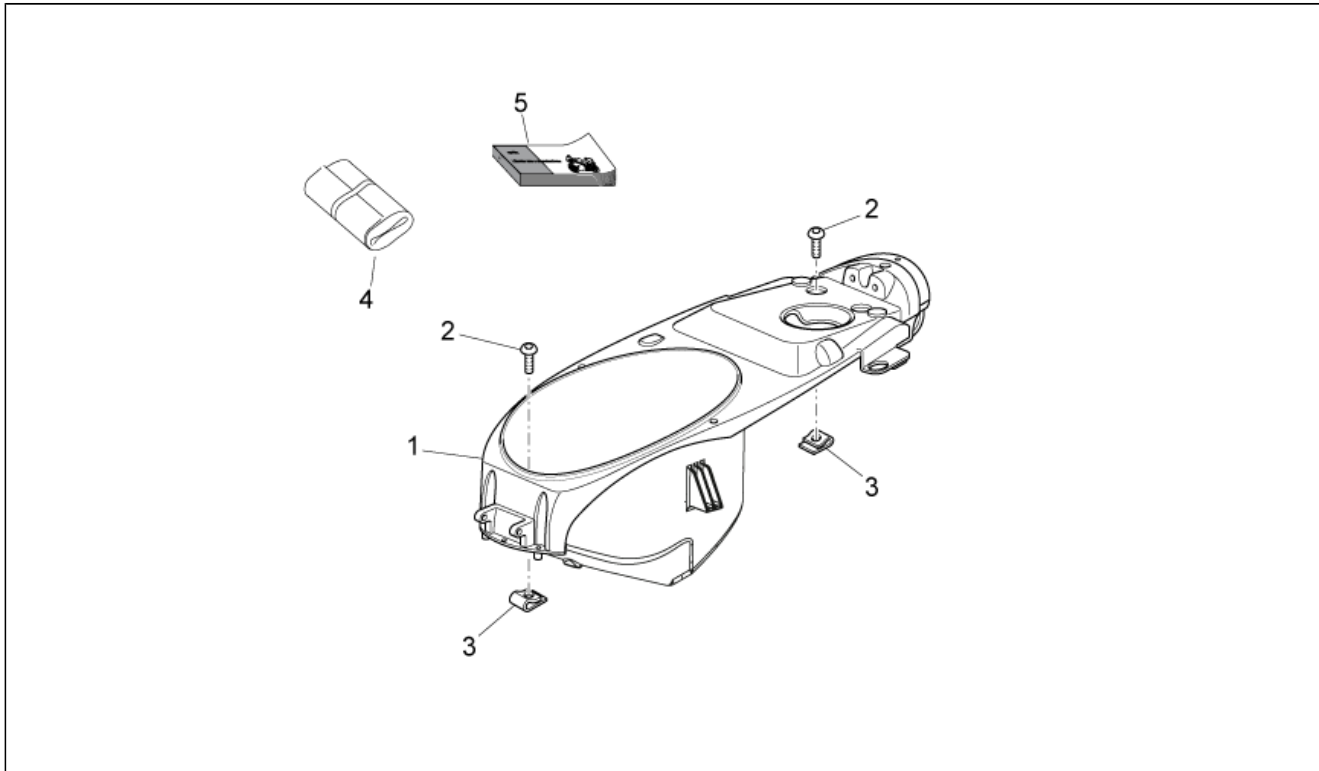
Pos.	Code	Description	Qty	Variants
1	JC921519200006B	Glove comp.door, blue	1	Vehicle colour: Blue Couture (s.t.893533)[blue]
1	JC921519200006Z	Glove comp.door, azure	1	Vehicle colour: Azzurro Jasmine (s.t.893534)[cyan]
1	JC921519200007B	Glove comp.door, black	1	Vehicle colour: Nero Aprilia (s.t.893530)[black]
1	JC921519200007C	Glove comp.door, grey	1	Vehicle colour: Silver Crowd (s.t.893531)[silver]
1	JC921519200007D	Glove comp.door, white	1	Vehicle colour: Bianco Flair "Net" (s.t.897553)[net], Bianco Flair-Cult (s.t.893532)[white]
1	JC921519200007L	Door	1	Vehicle colour: Verde Cayman (s.t.895598)[green]
1	JC921519200007M	Door	1	Vehicle colour: Giallo Prestige (s.t.895597)[yellow]
1	JC92151X92000	Glove comp.door blank	1	
2	JC96162X92000	Top box weatherseal	1	
3	JC92161X92000	Glove comp.door support	1	
4	AP8150413	Self-tap screw 3,9x14	10	
5	JC92111X92000	Plate	2	

Group	FRAME
Code	28.13
Description	Central body II
Service	1



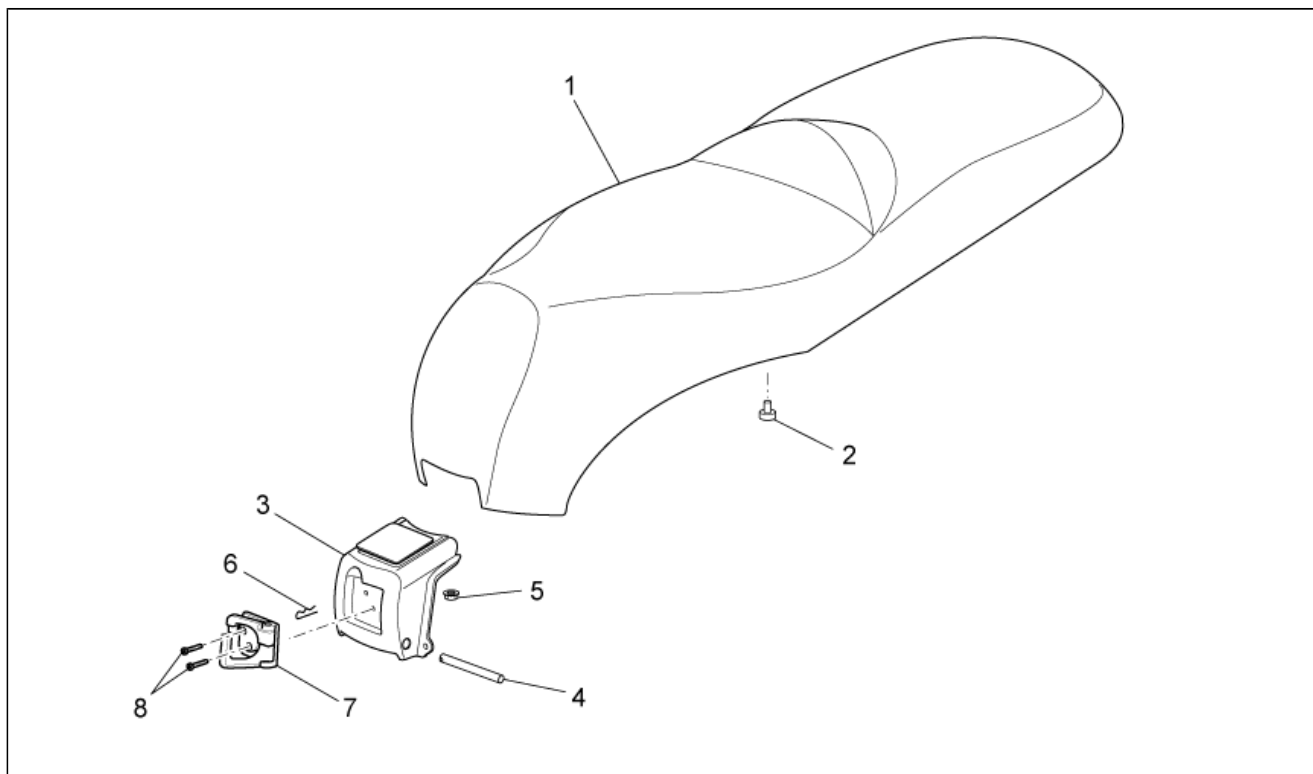
Pos.	Code	Description	Qty	Variants
1	JC47331X92000	Floor panel, black	1	
2	JC47341X92000	Battery cover	1	
3	JC02142X06163	Hex socket screw	6	
4	JC47131X92000	RH mat, black	1	
5	JC47231X92000	LH mat, black	1	
6	JC473519200006B	Spark plug cover blue	1	Vehicle colour:Blue Couture (s.t.893533)[blue]
6	JC473519200006Z	Spark plug cover sky blue	1	Vehicle colour:Azzurro Jasmine (s.t.893534)[cyan]
6	JC473519200007B	Spark plug cover black	1	Vehicle colour:Nero Aprilia (s.t.893530)[black]
6	JC473519200007C	Spark plug cover grey	1	Vehicle colour:Silver Crowd (s.t.893531)[silver]
6	JC473519200007D	Spark plug cover	1	Vehicle colour:Bianco Flair-Cult (s.t.893532)[white]
6	JC473519200007L	Spark plug cover	1	Vehicle colour:Verde Cayman (s.t.895598)[green]
6	JC473519200007M	Spark plug cover	1	Vehicle colour:Giallo Prestige (s.t.895597)[yellow]
6	JC47351X92000	Spark plug cover blank	1	
7	JC47361X92000	Underpanel	1	
8	JCE41104216JN00	Inox self tapping screw 2x16	1	
9	JC47461X92000	Central stand cover	1	
10	AP8150413	Self-tap screw 3,9x14	1	
11	AP8152302	Screw w/ flange	2	
12	254485	Spring plate M6	6	
13	AP8202449	Clip	2	

Group	FRAME
Code	28.14
Description	Undersaddle
Service	1



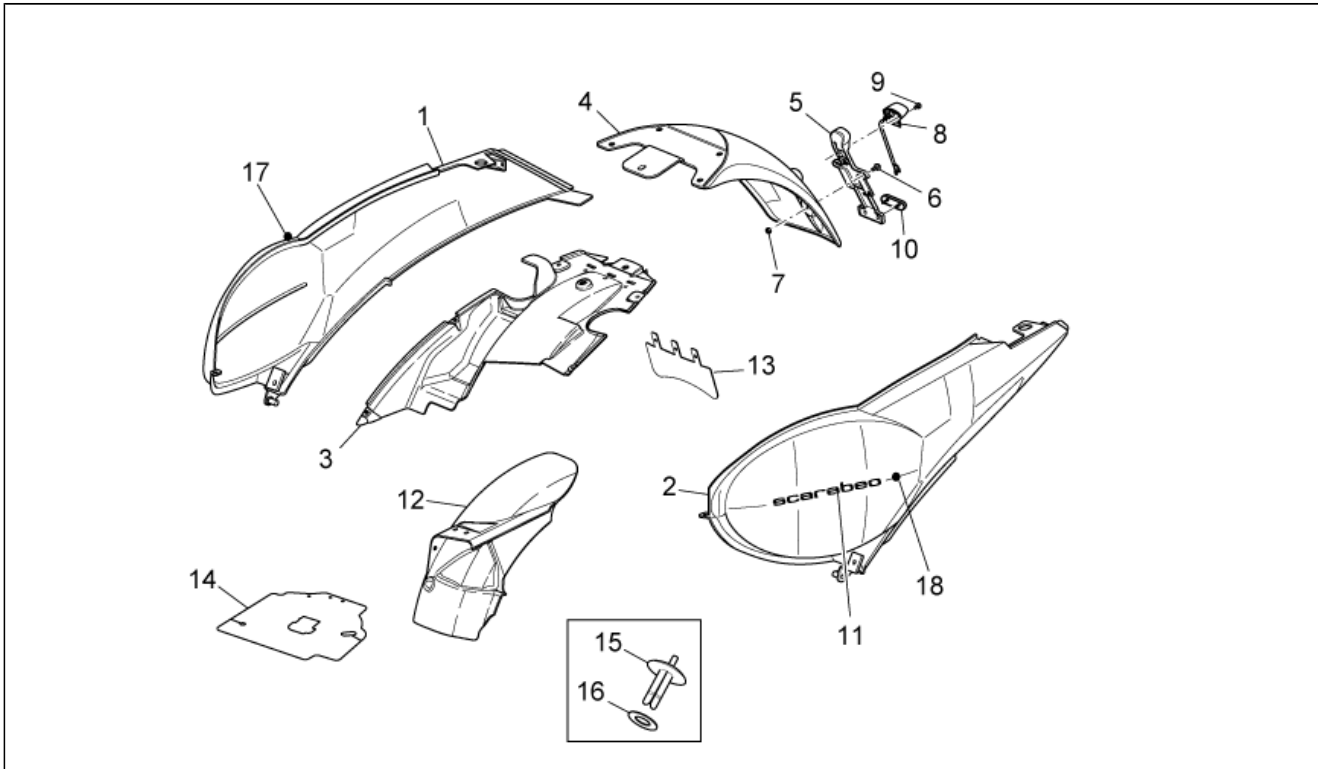
Pos.	Code	Description	Qty	Variants
1	JC92211X94000	Helmet compartment	1	
2	AP8152302	Screw w/ flange	4	
3	AP8102375	Clip	4	
4	JC09800X92000	Toolkit	1	
5	894131	Operator's handbook I/D/F/E	1	
5	894132	Operator's handbook UK/NL/GR/DK/SF/F	1	

Group	FRAME
Code	28.15
Description	Saddle unit
Service	1



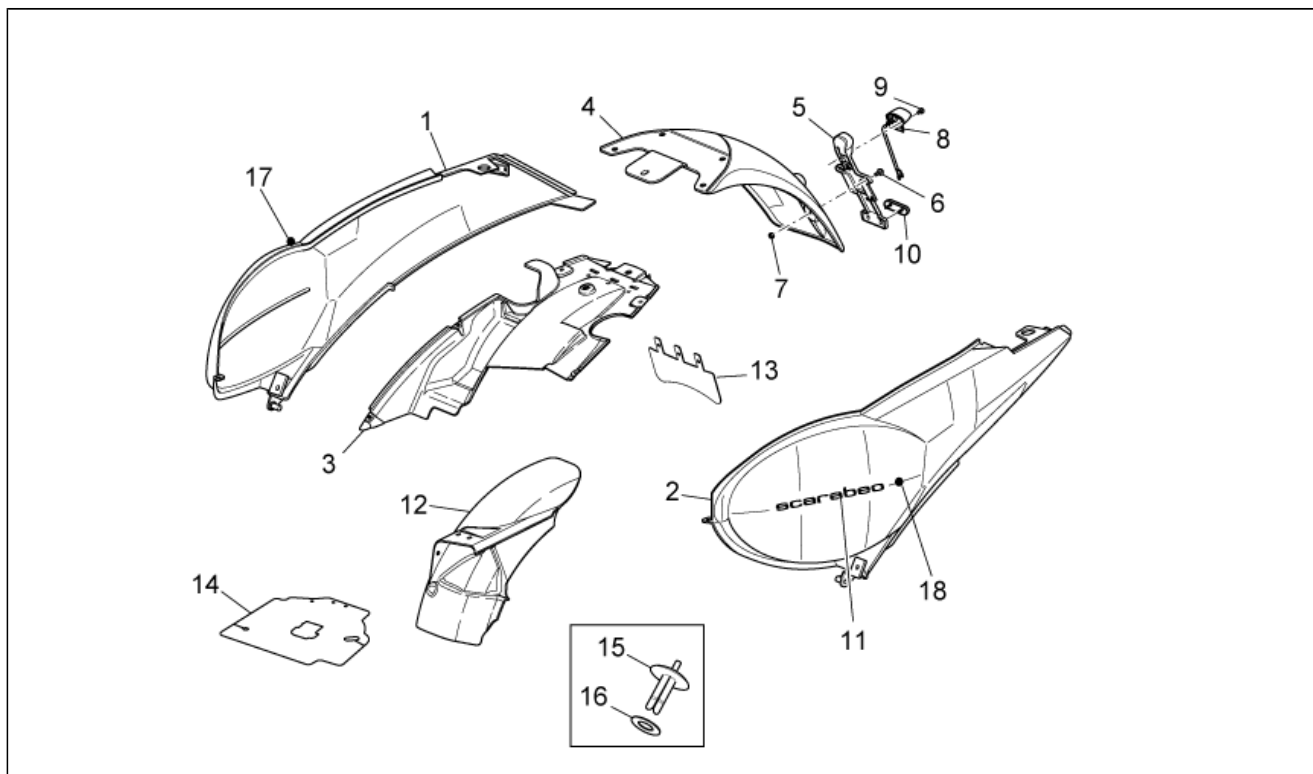
Pos.	Code	Description	Qty	Variants
1	JC45100X94000	Saddle complete, black	1	Vehicle colour: Nero Aprilia (s.t.893530)[black], Azzurro Jasmine (s.t.893534)[cyan], Silver Crowd (s.t.893531)[silver], Bianco Flair-Cult (s.t.893532)[white]
1	JC45100X94020	Saddle complete, beige	1	Vehicle colour: Blue Couture (s.t.893533)[blue]
1	JC45100X94030	Saddle, grey	1	Vehicle colour: Giallo Prestige (s.t.895597)[yellow]
1	JC45100X94040	Saddle complete, grey	1	Vehicle colour: Bianco Flair "Net" (s.t.897553)[net]
2	JC45116X92000	Saddle rubber	6	
3	JC45211X92000	Pillar hinge, black	1	
4	JC45212X92000	Saddle spin	1	
5	JCB51100600JN00	Self-locking nut	4	
6	JC45213X92000	Split pin	1	
7	JC92170X92000	Bag holder hook	1	
8	AP8150423	Screw 4,2x25*	1	

Group	FRAME
Code	28.16
Description	Rear body I
Service	1



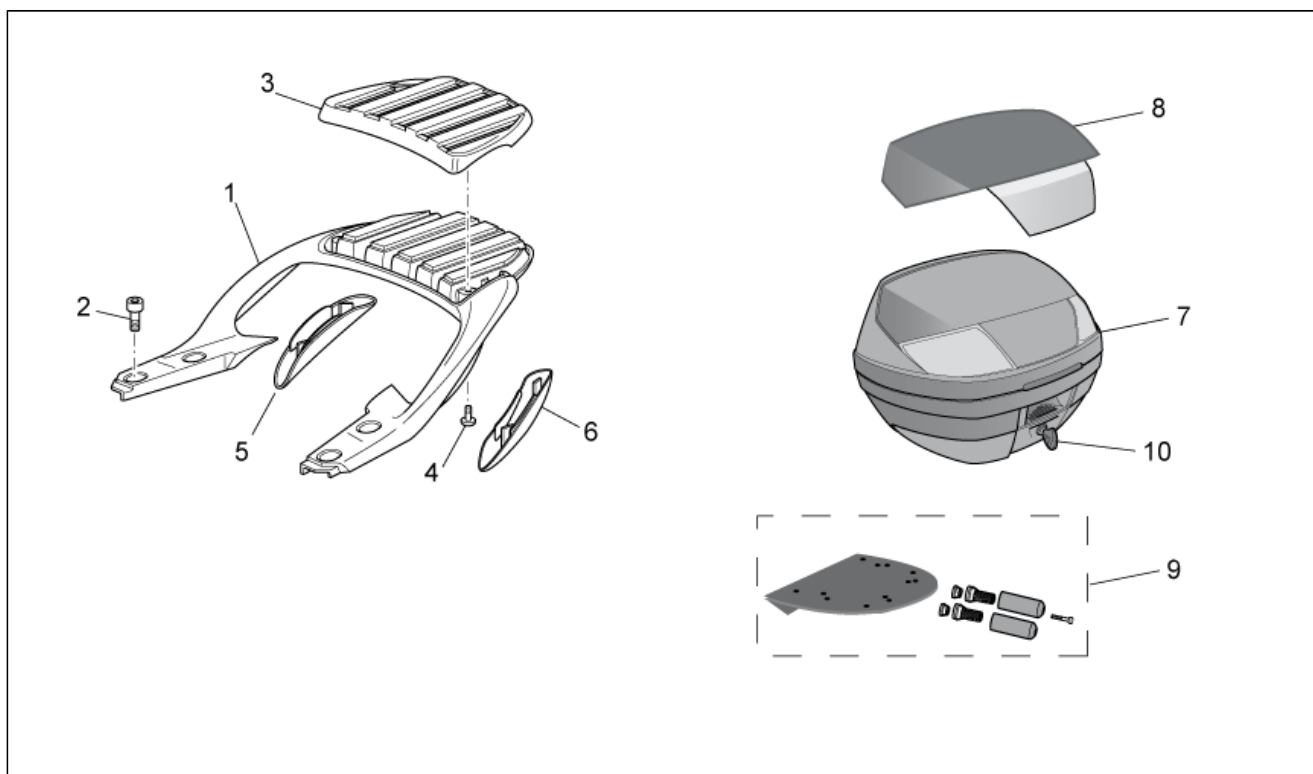
Pos.	Code	Description	Qty	Variants
1	JC471919200006B	RH rear fairing, blue	1	Vehicle colour:Blue Couture (s.t.893533)[blue]
1	JC471919200006Z	RH rear fairing, cyan	1	Vehicle colour:Azzurro Jasmine (s.t.893534)[cyan]
1	JC471919200007B	RH rear fairing, black	1	Vehicle colour:Nero Aprilia (s.t.893530)[black]
1	JC471919200007C	RH rear fairing, grey	1	Vehicle colour:Silver Crowd (s.t.893531)[silver]
1	JC471919200007D	RH rear fairing, white	1	Vehicle colour:Bianco Flair "Net" (s.t.897553)[net], Bianco Flair-Cult (s.t.893532)[white]
1	JC471919200007L	RH rear fairing, green	1	Vehicle colour:Verde Cayman (s.t.895598)[green]
1	JC471919200007M	RH Half-rear fairing,yellow	1	Vehicle colour:Giallo Prestige (s.t.895597)[yellow]
1	JC47191X92000	RH rear fairing, blank	1	
2	JC472919200006B	LH rear fairing, blue	1	Vehicle colour:Blue Couture (s.t.893533)[blue]
2	JC472919200006Z	LH rear fairing, cyan	1	Vehicle colour:Azzurro Jasmine (s.t.893534)[cyan]
2	JC472919200007B	LH rear fairing, black	1	Vehicle colour:Nero Aprilia (s.t.893530)[black]
2	JC472919200007C	LH rear fairing, grey	1	Vehicle colour:Silver Crowd (s.t.893531)[silver]
2	JC472919200007D	LH rear fairing, white	1	Vehicle colour:Bianco Flair "Net" (s.t.897553)[net], Bianco Flair-Cult (s.t.893532)[white]
2	JC472919200007L	LH rear fairing, green	1	Vehicle colour:Verde Cayman (s.t.895598)[green]
2	JC472919200007M	Rear fairing	1	Vehicle colour:Giallo Prestige (s.t.895597)[yellow]
2	JC47291X92000	LH rear fairing, blank	1	
3	JC47372X94000	Lower cover	1	
4	JC63111X92000	Rear mudguard	1	
5	JC63211X92000	Plate light support	1	
6	JCC43166016JN00	Screw w/ flange	3	
7	JCB51100600JN00	Self-locking nut	3	
8	JC35910X92000	Number-plate light	1	
9	AP8152351	Screw 4,2x16*	1	
10	JC35970X92000	Rear reflector, red	1	
11	JC68621X94000	Decal Scarabeo	2	
12	JC63113X94000	Front mudguard	1	

Group	FRAME
Code	28.16
Description	Rear body I
Service	1



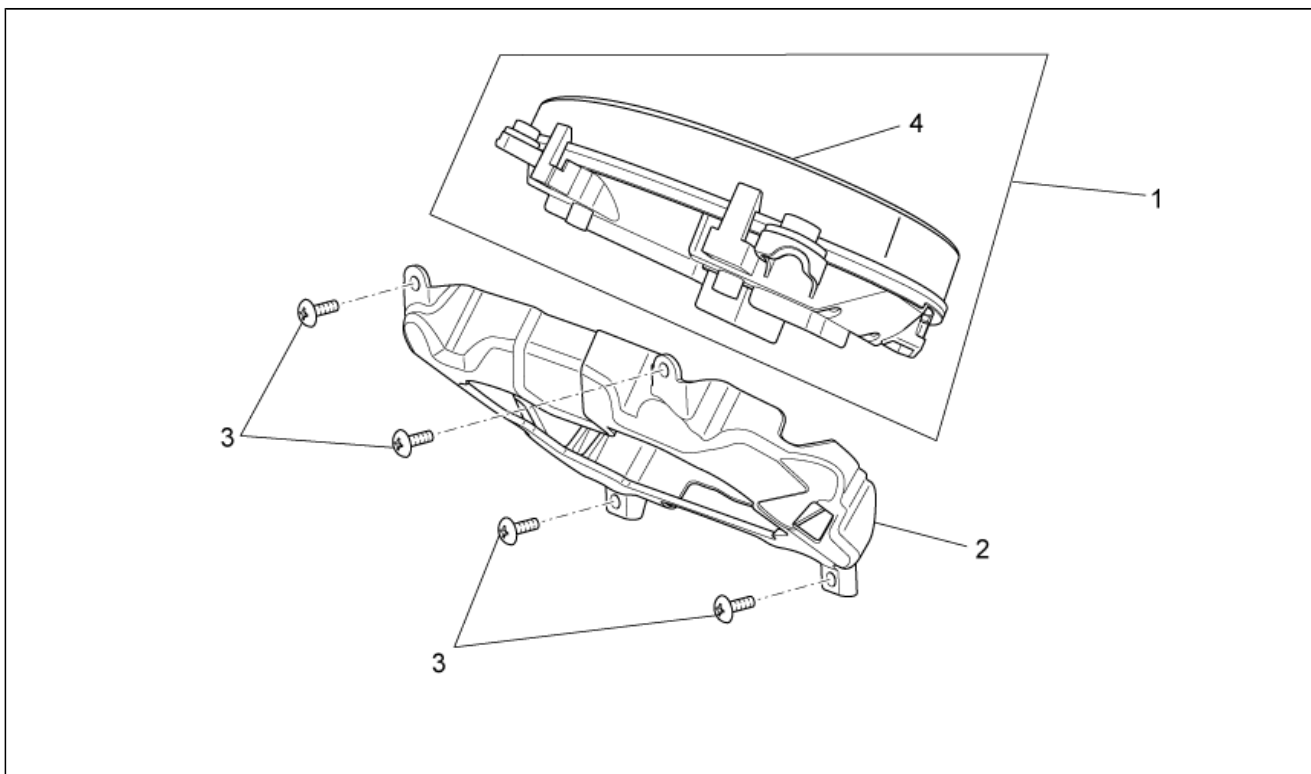
Pos.	Code	Description	Qty	Variants
13	JC63114X94000	Mudguard protection	1	
14	JC13811X94000	Protection	1	
15	AP8220471	Plastic rivet	6	
16	JCD11200600JN00	Washer M6	6	
17	JC68623X94003	Sticker RH NET	1	Vehicle colour: Bianco Flair "Net" (s.t.897553)[net]
18	JC68624X94003	Sticker LH NET	1	Vehicle colour: Bianco Flair "Net" (s.t.897553)[net]

Group	FRAME
Code	28.17
Description	Rear body II
Service	1



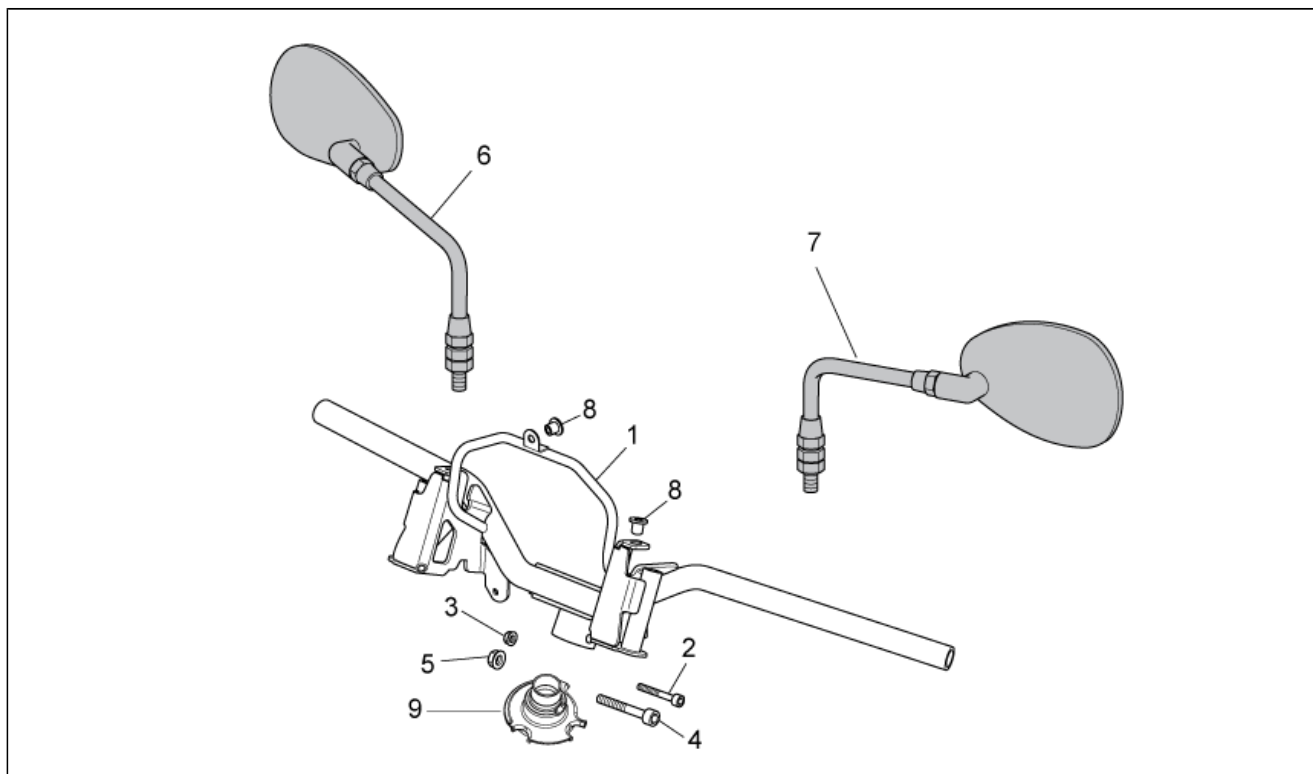
Pos.	Code	Description	Qty	Variants
1	JC46211X92000	Luggage rack, grey	1	
2	JC46212X92000	Hex socket screw	4	
3	JC46251X92000	Luggage rack cover, black	1	
4	AP8150413	Self-tap screw 3,9x14	4	
5	JC46241X92000	RH handle	1	
6	JC46242X92000	left handle	1	
7	CM220401	Top box City-35L	1	Vehicle colour: Bianco Flair "Net" (s.t.897553)[net]
8	CM220832	Top box cover	1	Vehicle colour: Bianco Flair "Net" (s.t.897553)[net]
9	672342	Top box supp.plate kit	1	Vehicle colour: Bianco Flair "Net" (s.t.897553)[net]
10	852953	Top box lock City-35L	1	Vehicle colour: Bianco Flair "Net" (s.t.897553)[net]

Group	FRAME
Code	28.18
Description	Dashboard
Service	1



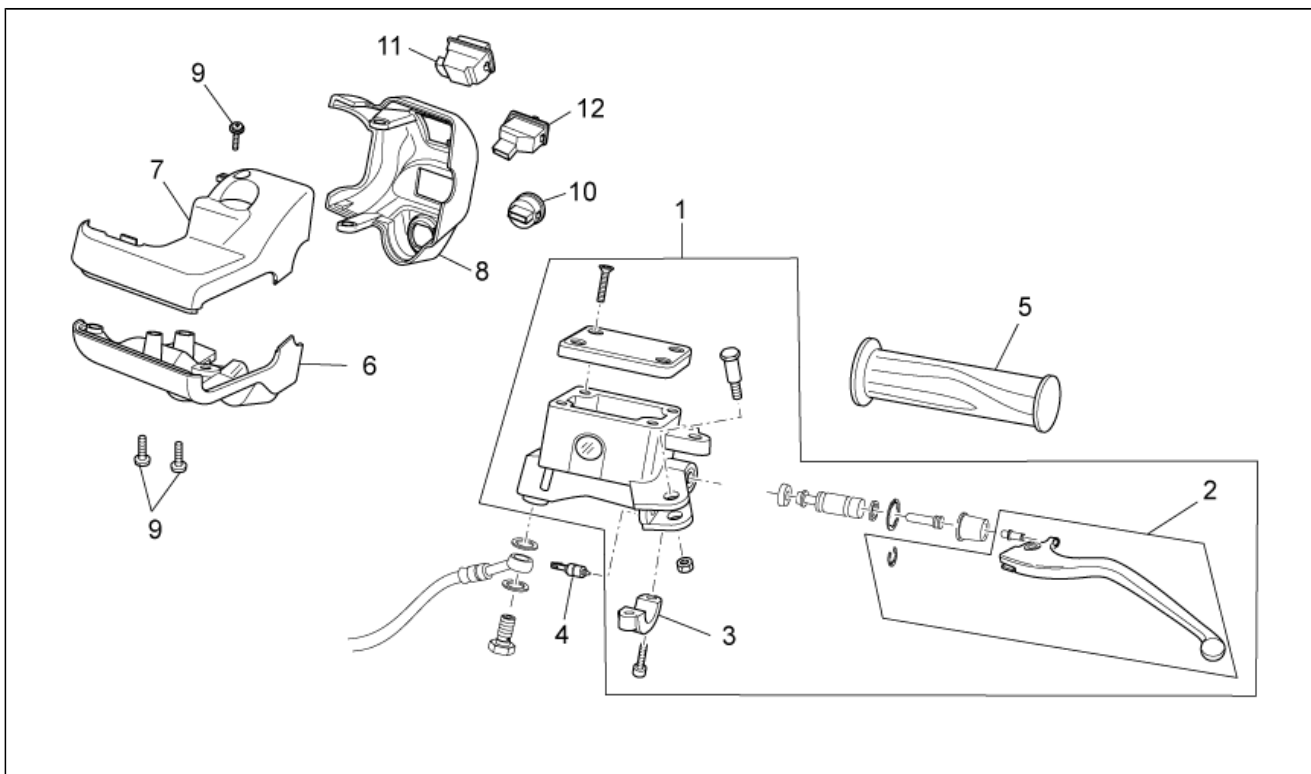
Pos.	Code	Description	Qty	Variants
1	JC34100X94000	Dashboard complete	1	
2	JC56322X92000	Socket support	1	
3	AP8150413	Self-tap screw 3,9x14	4	
4	890020	Dashboard window	1	

Group	FRAME
Code	28.19
Description	Handlebar
Service	1



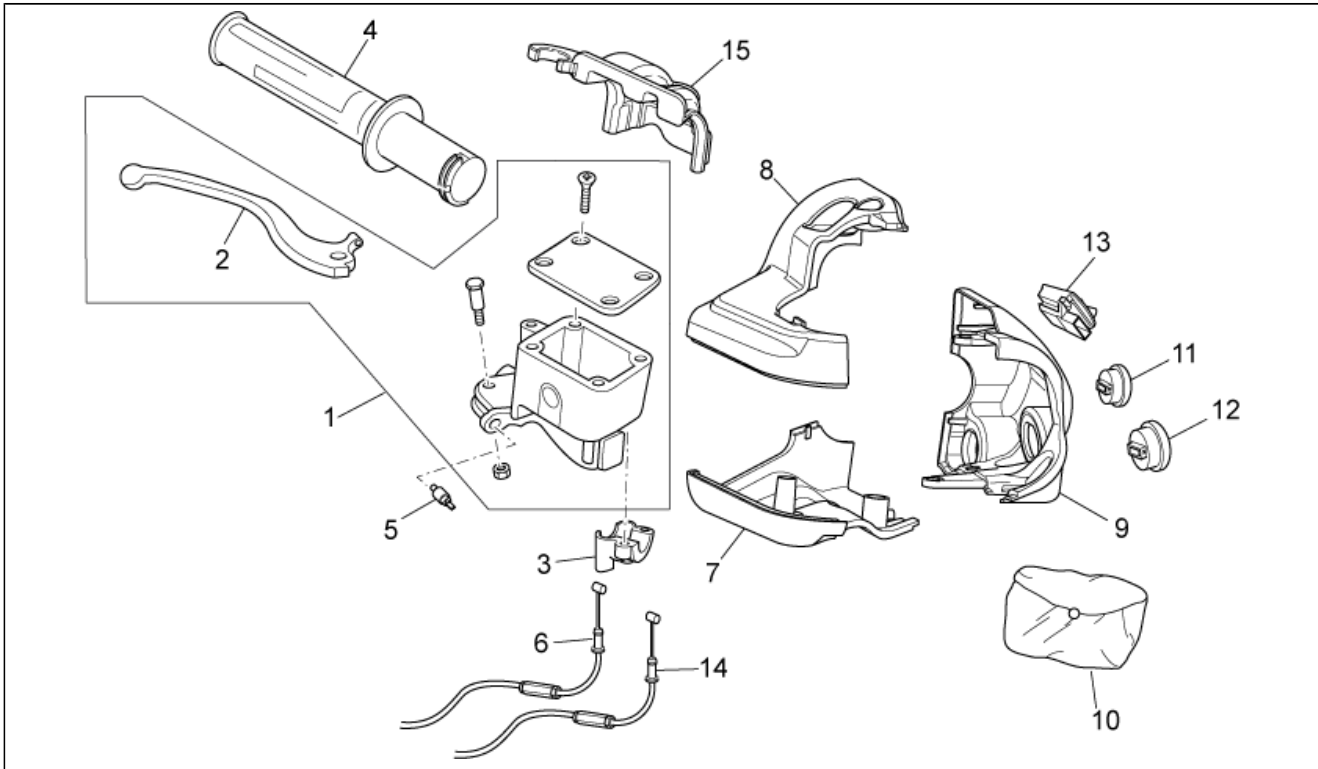
Pos.	Code	Description	Qty	Variants
1	JC56110X92000	Handlebar	1	
2	JCA20108050JN00	Screw	1	
3	JCB51100800JN00	Nut M8	1	
4	AP8150392	Hex socket screw	1	
5	JCB51201000JN00	Nut	1	
6	JC56500X94000	RH rearview mirror cpl	1	
7	JC56600X94000	RH rearview mirror cpl	1	
8	JC48420XH0300	Antivibration bush	3	
9	JC48142X92000	Cup	1	

Group	FRAME
Code	28.20
Description	LH Controls
Service	1



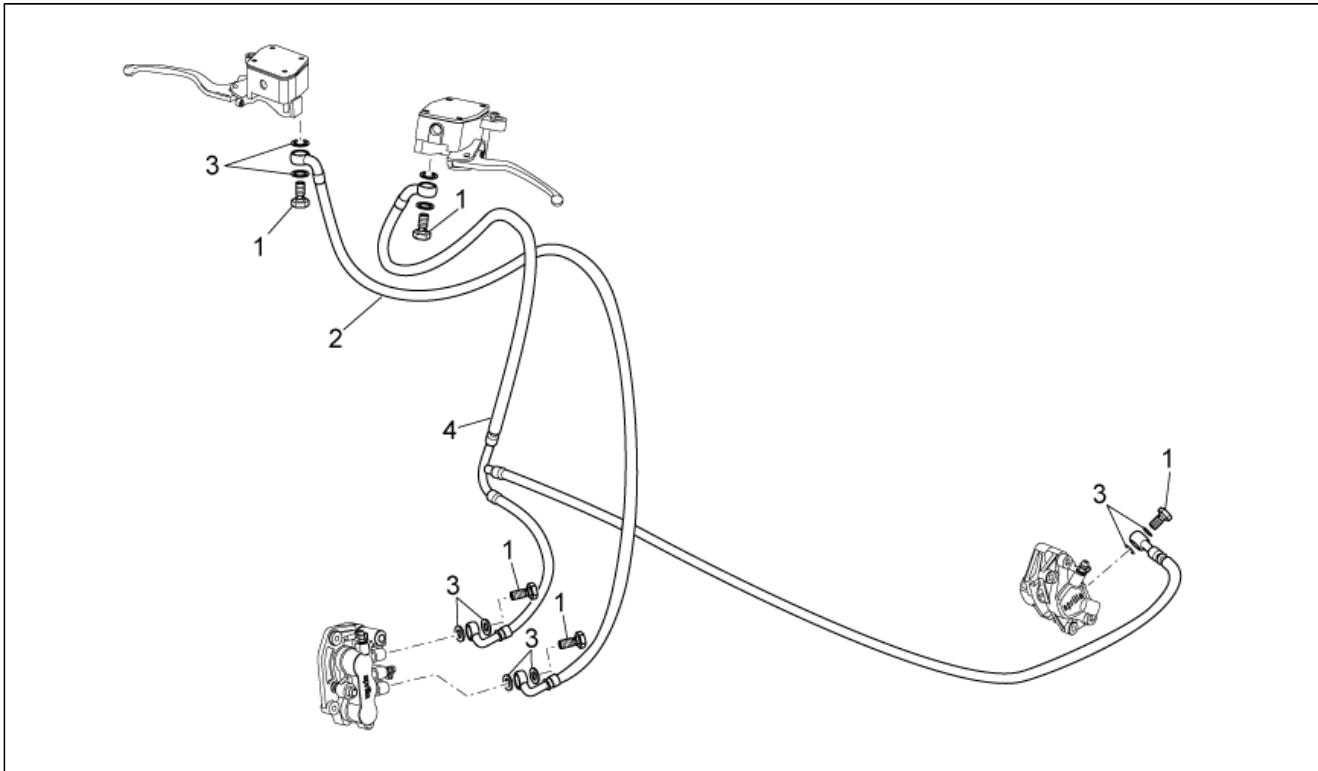
Pos.	Code	Description	Qty	Variants
1	JC69600X94000	Brake m.cyl. post.D.14	1	
2	AP8133809	Brake lever	1	
3	AP8213586	Brake lever U-bolt	1	
4	AP8127305	Brake light switch	1	
5	JC57211X92000	LH hand grip	1	
6	JC56361X92000	Lower shell	1	
7	JC56362X92000	LH upper shell	1	
8	JC56363X92000	LH el.controls place, black	1	
9	AP8152268	Hex socket screw	3	
10	JC37710X92000	Horn button	1	
11	JC37500X92000	Lights selector	1	
12	JC37400X92000	Turn indic.lightbutton	1	

Group	FRAME
Code	28.21
Description	RH controls
Service	1



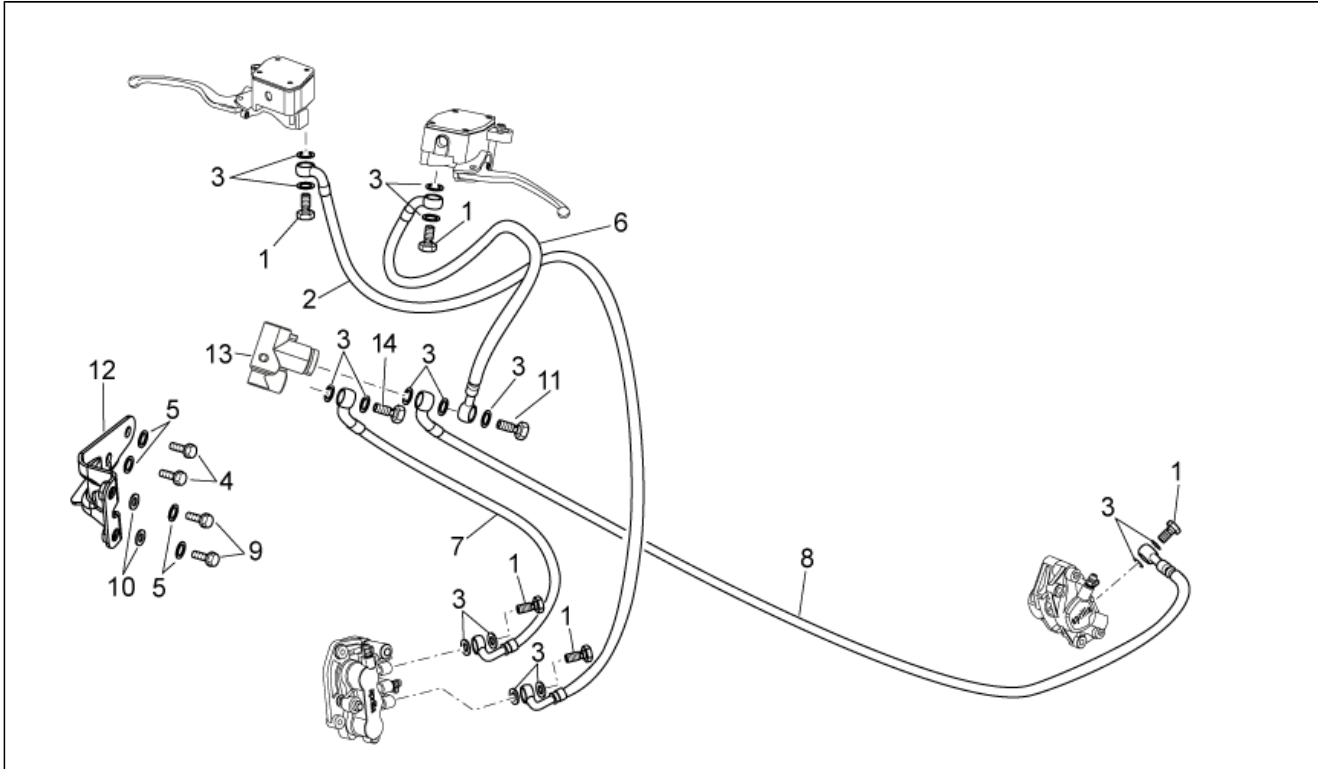
Pos.	Code	Description	Qty	Variants
1	AP8133734	Front master cilinder	1	
2	AP8133811	Brake lever	1	
3	JC59671X92000	Throttle place	1	
4	JC57110X92000	Throttle+hand grip	1	
5	AP8127305	Brake light switch	1	
6	JC58300X94000	Opening throttle cable	1	
7	JC56351X92000	Lower shell	1	
8	JC56352X92000	RH upper shell	1	
9	JC56353X92000	RH el.controls place, black	1	
10	AP8133812	Pump revision kit	1	
11	JC37900X92000	Button MODE	1	
12	JC37200X92000	Start pushbutton	1	
13	JC37720X94000	Map switch device	1	
14	JC58400X94000	Closure throttle cable	1	
15	JC58511X94000	Protection	1	

Group	FRAME
Code	28.22
Description	Front/rear brake system
Service	1



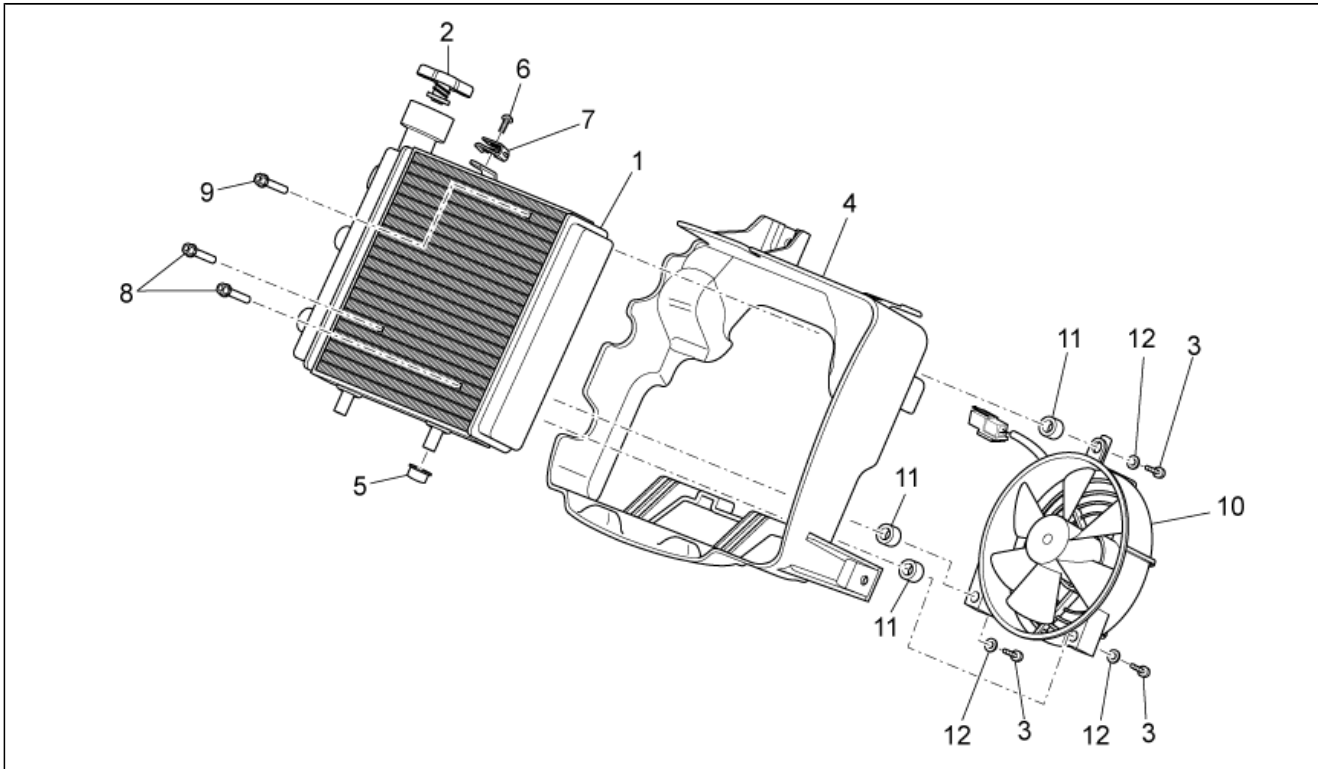
Pos.	Code	Description	Qty	Variants
1	JC59491X92000	Oil pipe screw *	5	
2	JC59480X92000	Front brake hose	1	
3	JC59492X92000	Washer 10x14x1,6*	10	
4	JC69400X94000	Rear brake hose	1	Technical Specifications: Braking system without press. regul. valve 597687[OLD]

Group	FRAME
Code	28.23
Description	Front/rear brake system
Service	1



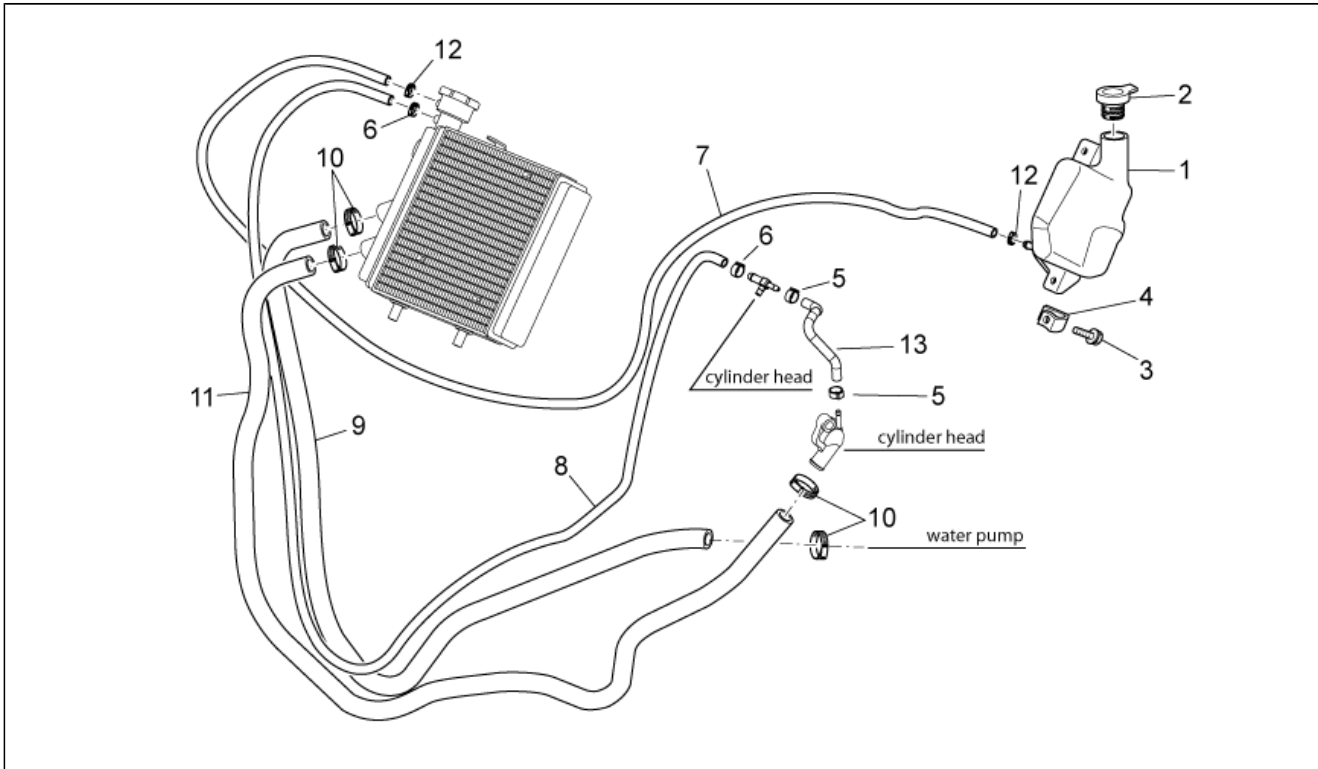
Pos.	Code	Description	Qty	Variants
1	JC59491X92000	Oil pipe screw *	5	
2	JC59480X92000	Front brake hose	1	
3	JC59492X92000	Washer 10x14x1,6*	15	
4	031084	Screw	2	Technical Specifications: Braking system with press. regul. valve 597687[NEW]
5	006976	Spring washer	4	Technical Specifications: Braking system with press. regul. valve 597687[NEW]
6	665925	Hydraulic brake pipe	1	Technical Specifications: Braking system with press. regul. valve 597687[NEW]
7	665924	Hydraulic brake pipe	1	Technical Specifications: Braking system with press. regul. valve 597687[NEW]
8	JC69430X92000	Rear brake pipe	1	Technical Specifications: Braking system with press. regul. valve 597687[NEW]
9	031090	Hex screw	2	Technical Specifications: Braking system with press. regul. valve 597687[NEW]
10	665957	Spacer	2	Technical Specifications: Braking system with press. regul. valve 597687[NEW]
11	597633	Oil pipe screw *	1	Technical Specifications: Braking system with press. regul. valve 597687[NEW]
12	665909	Clamp	1	Technical Specifications: Braking system with press. regul. valve 597687[NEW]
13	597687	Valve	1	Technical Specifications: Braking system with press. regul. valve 597687[NEW]
14	265451	Oil pipe screw	1	Technical Specifications: Braking system with press. regul. valve 597687[NEW]

Group	FRAME
Code	28.24
Description	Water cooler
Service	1



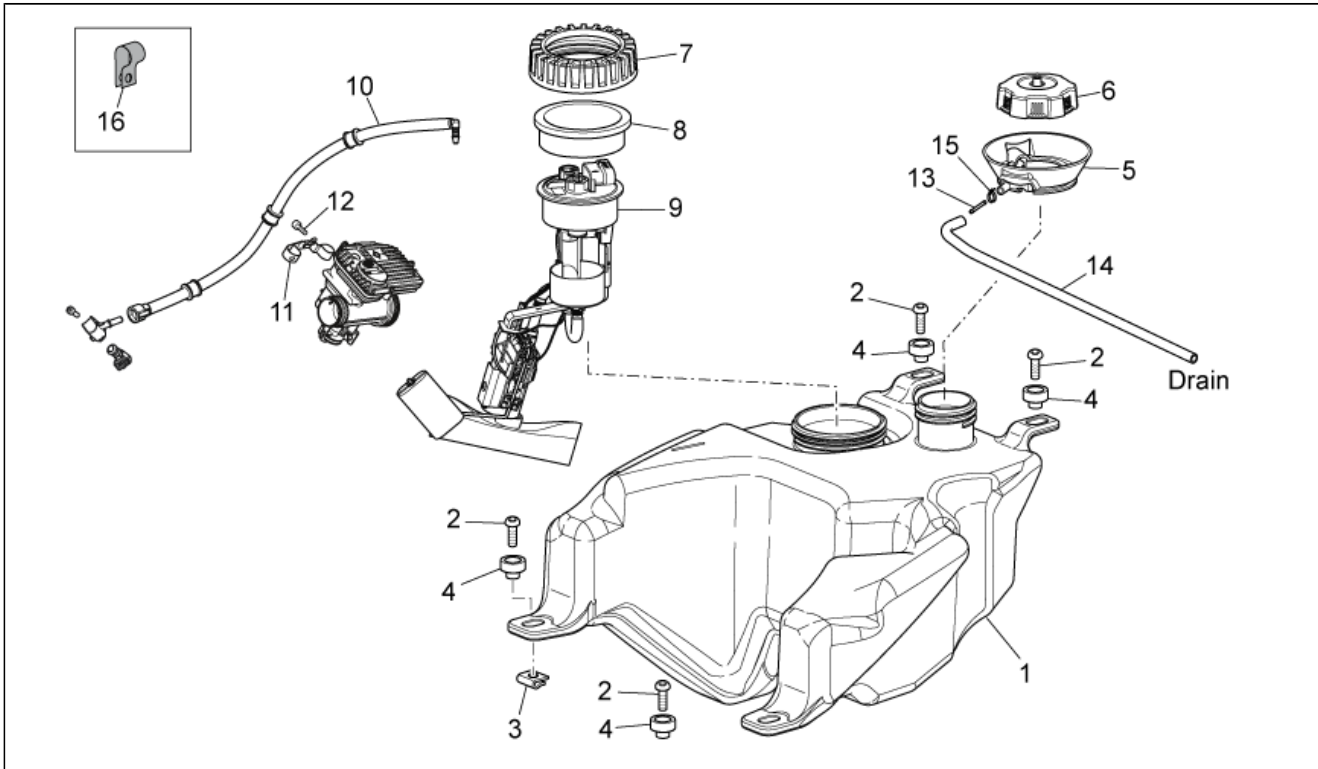
Pos.	Code	Description	Qty	Variants
1	JC17710X94000	Water cooler	1	
2	JC17730X92000	Rad cap w/ vent	1	
3	JCE41104216JN00	Inox self tapping screw 2x16	3	
4	JC48141X92000	Water cooler support	1	
5	JC17721X92000	Silent-block *	2	
6	JC02142X06163	Hex socket screw	1	
7	254485	Spring plate M6	1	
8	JC17121X92000	Fixing pin	2	
9	JC17123X92000	Fixing pin	1	
10	JC17110X92000	Fan, cpl.	1	
11	JC17122X92000	Spacer	3	
12	JCD11200400JN00	Washer	3	

Group	FRAME
Code	28.25
Description	Cooling system
Service	1



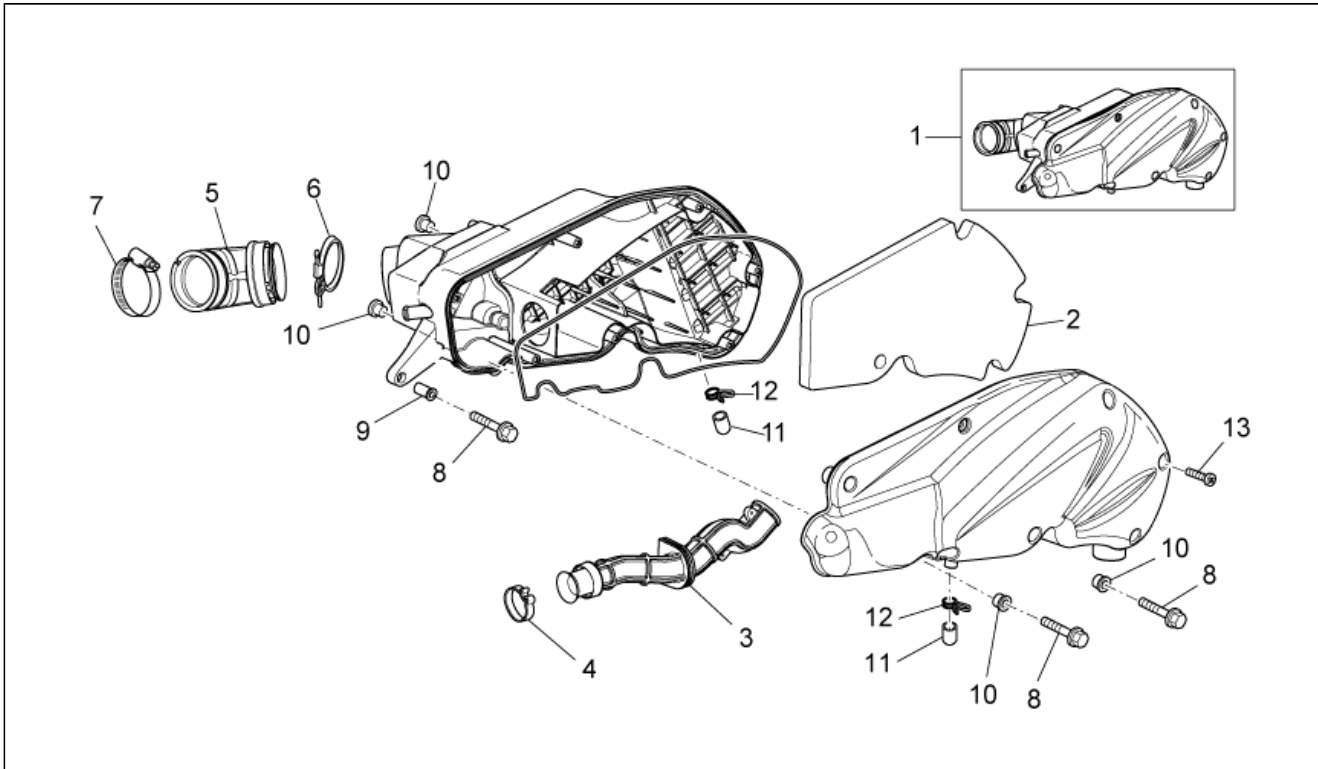
Pos.	Code	Description	Qty	Variants
1	JC17911X94000	Expansion tank	1	
2	JC17931X94000	Expansion tank plug	1	
3	JC02142X06203	Hex socket screw	2	
4	254485	Spring plate M6	2	
5	AP4FDN000327	Hose clamp	2	
6	JC09403X92000	Hose clamp	2	
7	JC17853X92000	Cooler-expansion tank pipe	1	
8	JC17854X94000	Breather pipe	1	
9	JC17852X92000	Water cooler-head tube	1	
10	JC09402X92000	Hose clamp	4	
11	JC17851X92000	Water cooler-pump tube	1	
12	JC09401X92000	Hose clamp	2	
13	JC09359X05300	Breather pipe	1	

Group	FRAME
Code	28.26
Description	Fuel tank
Service	1



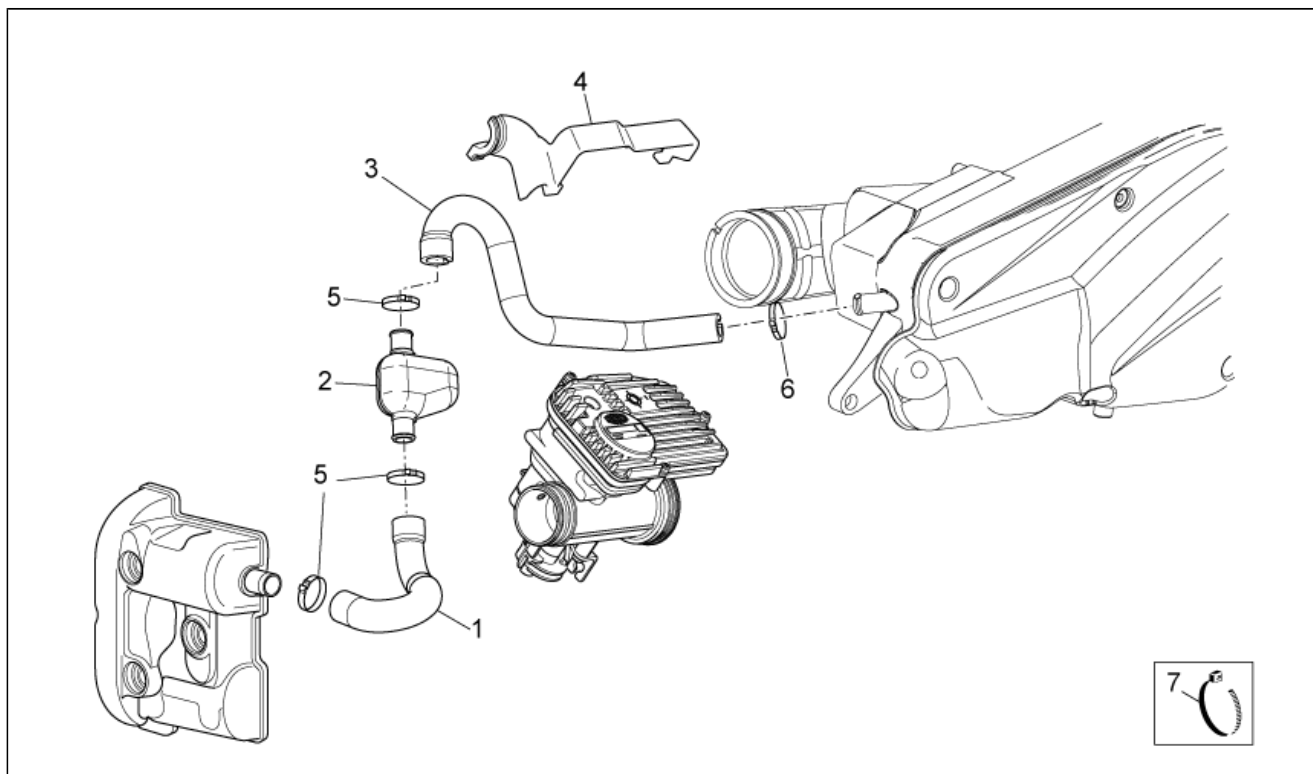
Pos.	Code	Description	Qty	Variants
1	JC44110X94000	Fuel tank	1	
2	JCA20106025JN00	Screw w/ flange M6x25	4	
3	254485	Spring plate M6	4	
4	JC44911X94000	Bush	4	
5	JC44511X92000	Fuel collector rubber	1	
6	JC44200X92000	Fuel filler cap	1	
7	JC44392X94000	Ring nut	1	
8	JC44391X94000	Gasket	1	
9	JC44340X94000	Fuel pump	1	
10	JC44600X94000	Fuel pipe	1	
11	JC44410X94000	Support plate	1	
12	433800	Self-tapping screw	2	
13	JC44492X92000	2-way union	1	
14	JC44448X92000	Fuel pipe	1	
15	JC44491X92000	Hose clamp	1	
16	JC09404X06431	Wiring clip	1	

Group	FRAME
Code	28.27
Description	Air box
Service	1



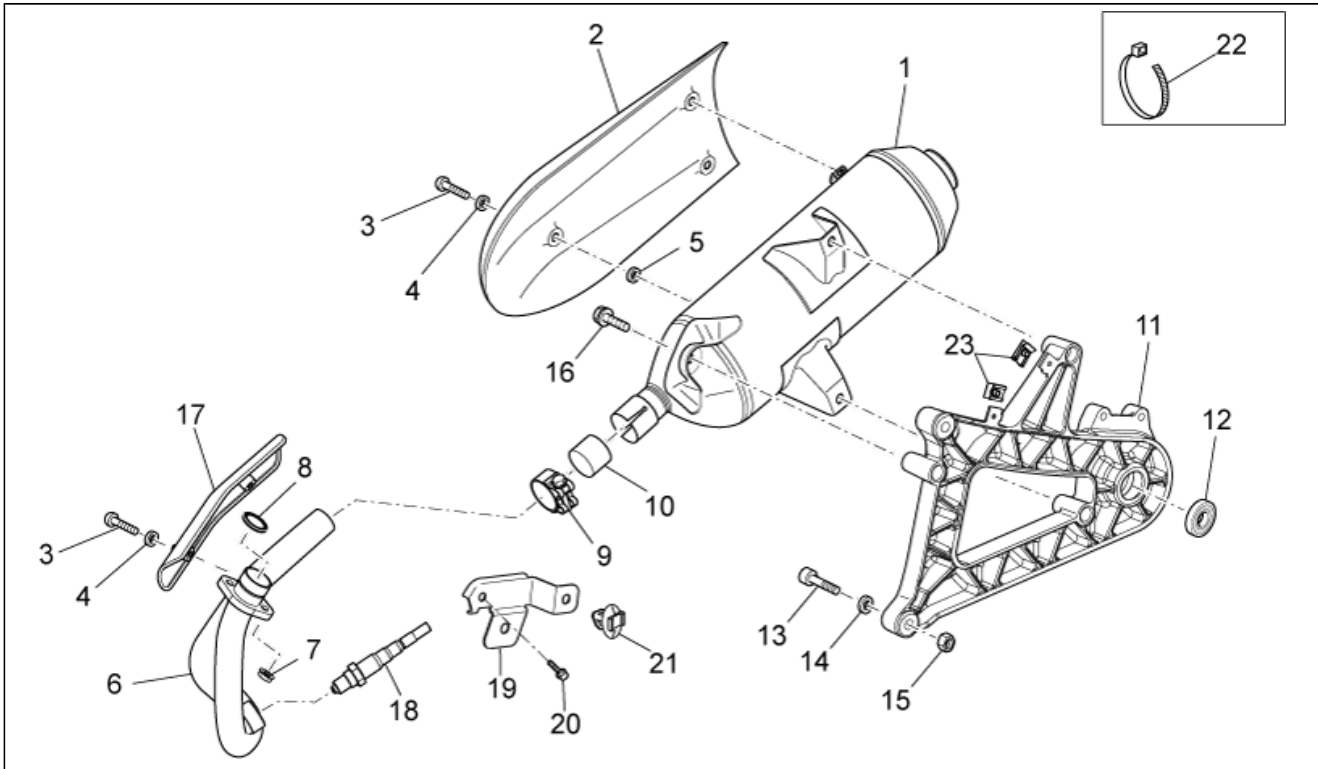
Pos.	Code	Description	Qty	Variants
1	JC13700X94000	Air box cpl.	1	
2	JC13721X92000	Air filter	1	
3	JC13732X92000	Intake hose	1	
4	JC13743X92000	Hose clamp	1	
5	JC13731X94000	Carburettor flange	1	
6	JC13742X92000	Hose clamp	1	
7	JC13741X94000	Hose clamp	1	
8	JCA20106030JN00	Screw w/ flange M6x30	3	
9	JC13762X92000	T bush	1	
10	JC13761X92000	T bush	4	
11	JC13751X92000	Cap	2	
12	JC13744X92000	Hose clamp	2	
13	258146	Self-tap screw M3x20	8	

Group	FRAME
Code	28.28
Description	Oil vapour recover system
Service	1



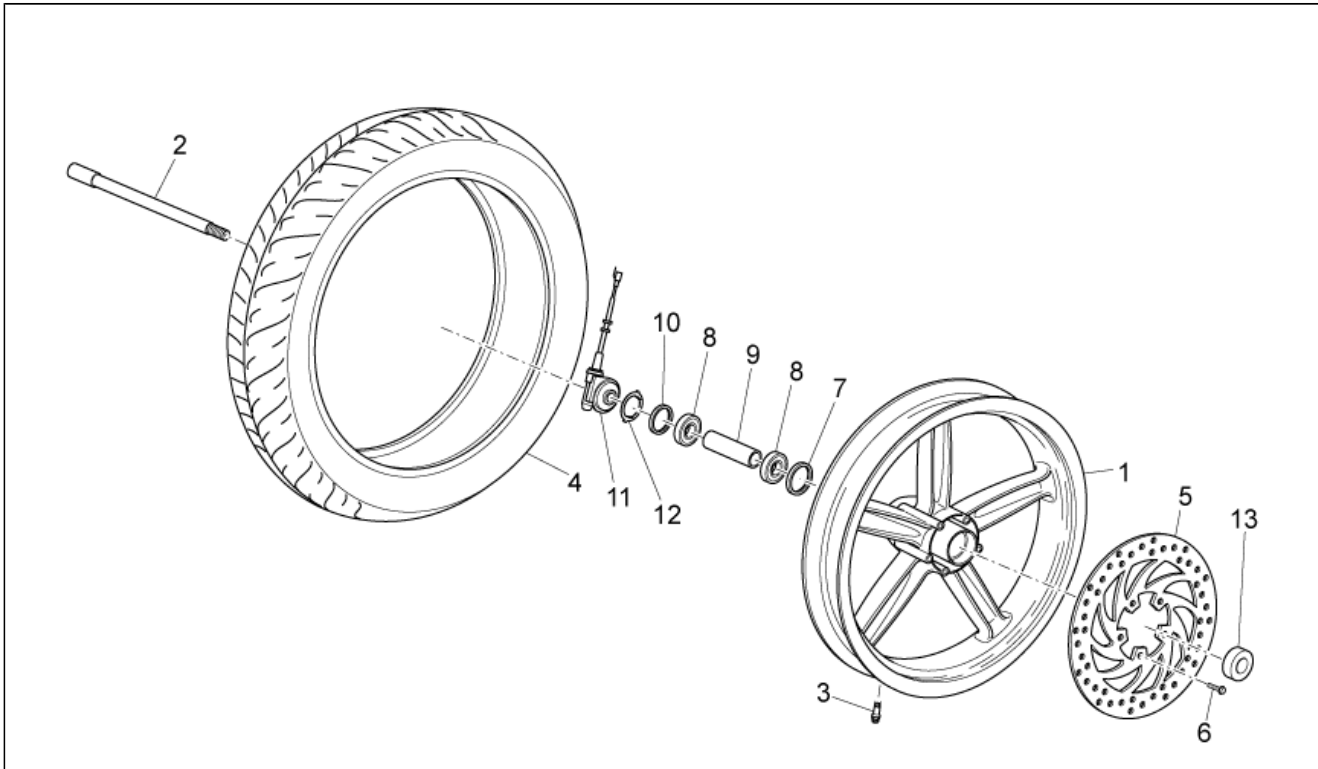
Pos.	Code	Description	Qty	Variants
1	JC18442X94000	Pipe blow-by, 1	1	
2	JC18445X94000	Oil tank blow-by	1	
3	JC18444X94000	Pipe blow-by, 2	1	
4	JC18443X94000	Support blow-by	1	
5	JC09406X92000	Hose clamp	3	
6	JC09402X92000	Hose clamp	1	
7	JC36692X92000	Hose clamp	1	

Group	FRAME
Code	28.31
Description	Exhaust unit
Service	1



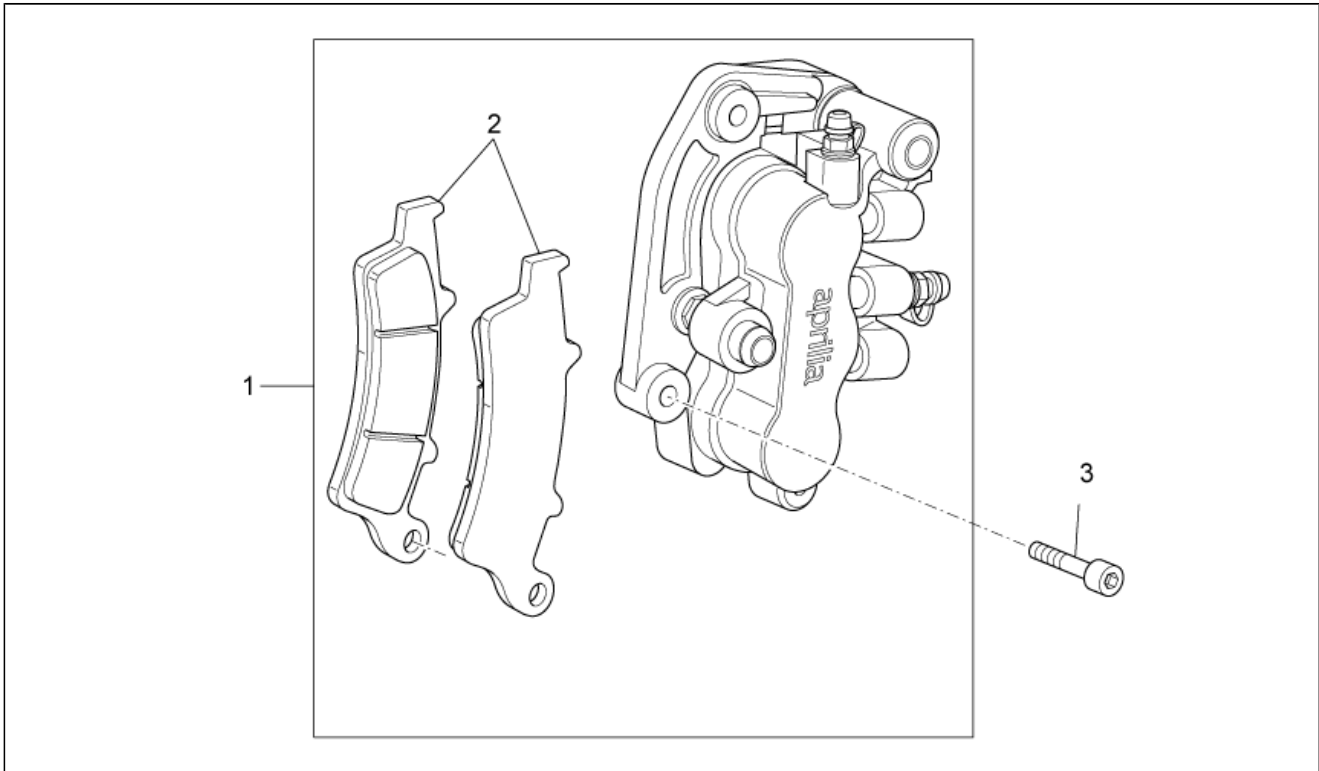
Pos.	Code	Description	Qty	Variants
1	874912	Silencer	1	
2	JC14781X92000	Exhaust pipe protection	1	
3	JC14783X92000	Screw	5	
4	JCD11200500RN00	Washer	5	
5	JC14782X92000	Insulating washer	3	
6	JC14320X94000	Exhaust pipe	1	
7	JCB20100800JN00	Nut	2	
8	JC14181X92000	Exhaust pipe gasket	1	
9	JC14190X92000	Hose clamp	1	
10	JC14182X92000	Bush	1	
11	JC61511X94000	Exhaust pipe support clamp	1	
12	AP8128186	Bearing 6004-2RS D20x42x12	1	
13	JCC20108070JN00	Screw M8x70	2	
14	JCD10200800JN00	Washer	2	
15	JCB56100800JN00	Nut M8	2	
16	JCA20108030JN00	Screw M8x30	3	
17	JC14786X92000	Heat protection	1	
18	JC33970X94000	Lamda sensor	1	
19	JC44421X94000	Plate	1	
20	AP8520197	Screw w/ flange	1	
21	JC09408X94000	Hose clamp	1	
22	JC09407XG9400	Hose clamp	4	
23	254485	Spring plate M6	2	

Group	FRAME
Code	28.32
Description	Front wheel
Service	1



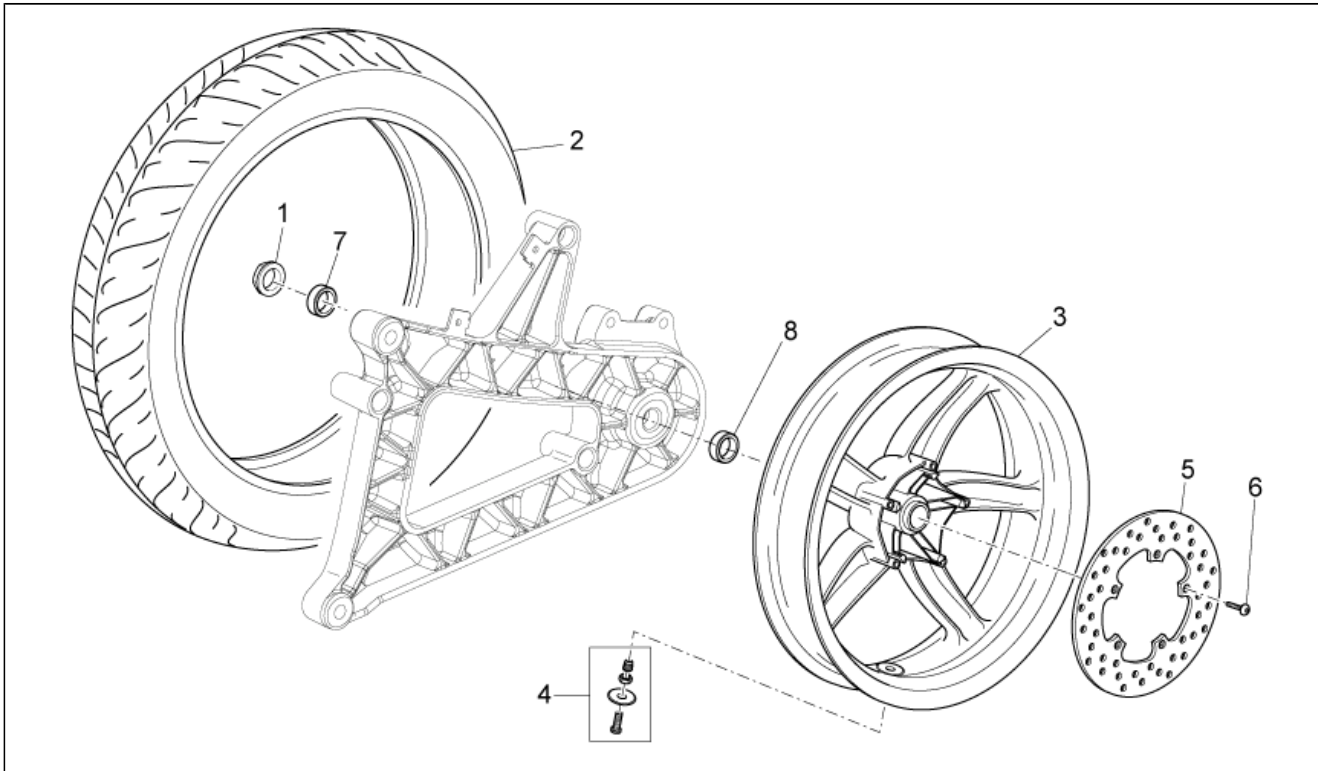
Pos.	Code	Description	Qty	Variants
1	JC54110X92000	Front wheel, grey	1	
2	JC54711X92000	Front wheel spindle	1	
3	JC55300XG1300	Tubeless tyre valve	1	
4	666880	Front/rear tyre 100/80-16" Michelin	1	
4	JC55110X92000	Front/rear tyre 100/80-16"	1	
5	JC59211X92000	Front brake disc	1	
6	JC46212X92000	Hex socket screw	5	
7	JC54820X92000	Gasket ring	1	
8	AP8122427	Bearing 6302-2RS 15x42x13	2	
9	JC54721X92000	Spacer	1	
10	JC54810X92000	Oil seal	1	
11	JC54610X94000	Odometer gear	1	
12	JC54661X92000	Drive key	1	
13	JC54751X92000	Spacer	1	

Group	FRAME
Code	28.33
Description	Front caliper
Service	1



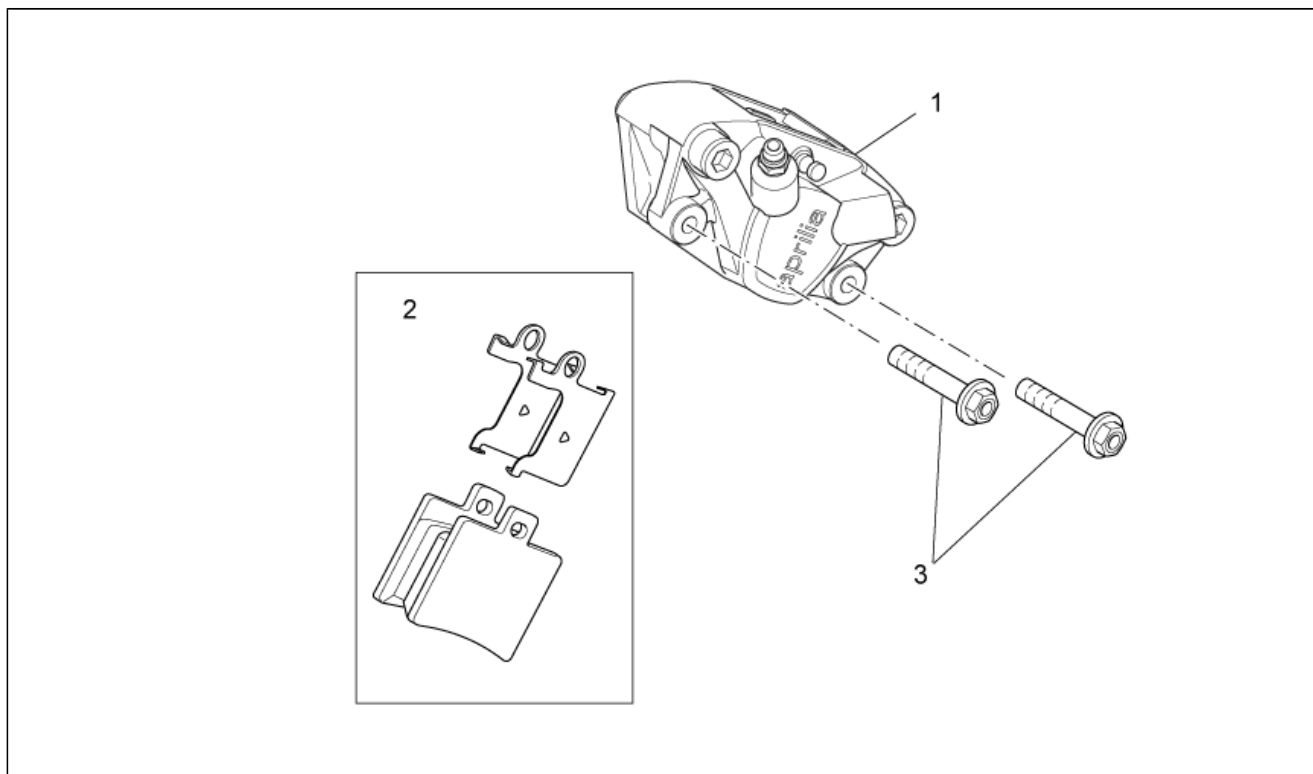
Pos.	Code	Description	Qty	Variants
1	AP8133851	Front brake caliper	1	
2	AP8133815	Pads pair	1	
3	JCC20178030JN00	Hex socket screw	2	

Group	FRAME
Code	28.34
Description	Rear wheel
Service	1



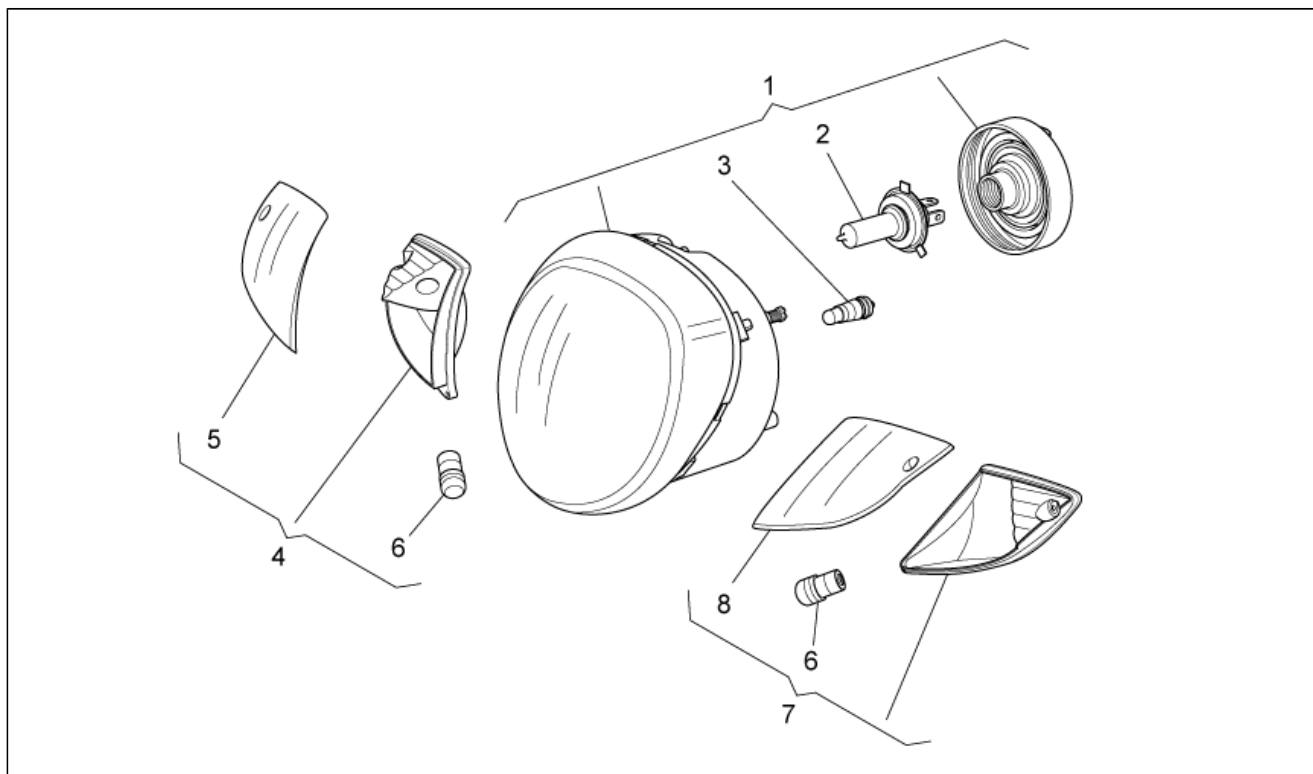
Pos.	Code	Description	Qty	Variants
1	AP8152244	DAX flange nut M14x1,5	1	
2	666881	Rear tyre 120/80-16" Michelin	1	
2	JC65110X92000	Rear tyre 120/80-16"	1	
3	JC64110X92000	Rear wheel, grey	1	
4	JC55300XG1300	Tubeless tyre valve	1	
5	JC69211X92000	Brake disc	1	
6	JCA20178030JN00	Screw w/ flange	5	
7	JC64751X92000	Outside spacer	1	
8	JC64741X92000	Internal spacer	1	

Group	FRAME
Code	28.35
Description	Rear caliper
Service	1



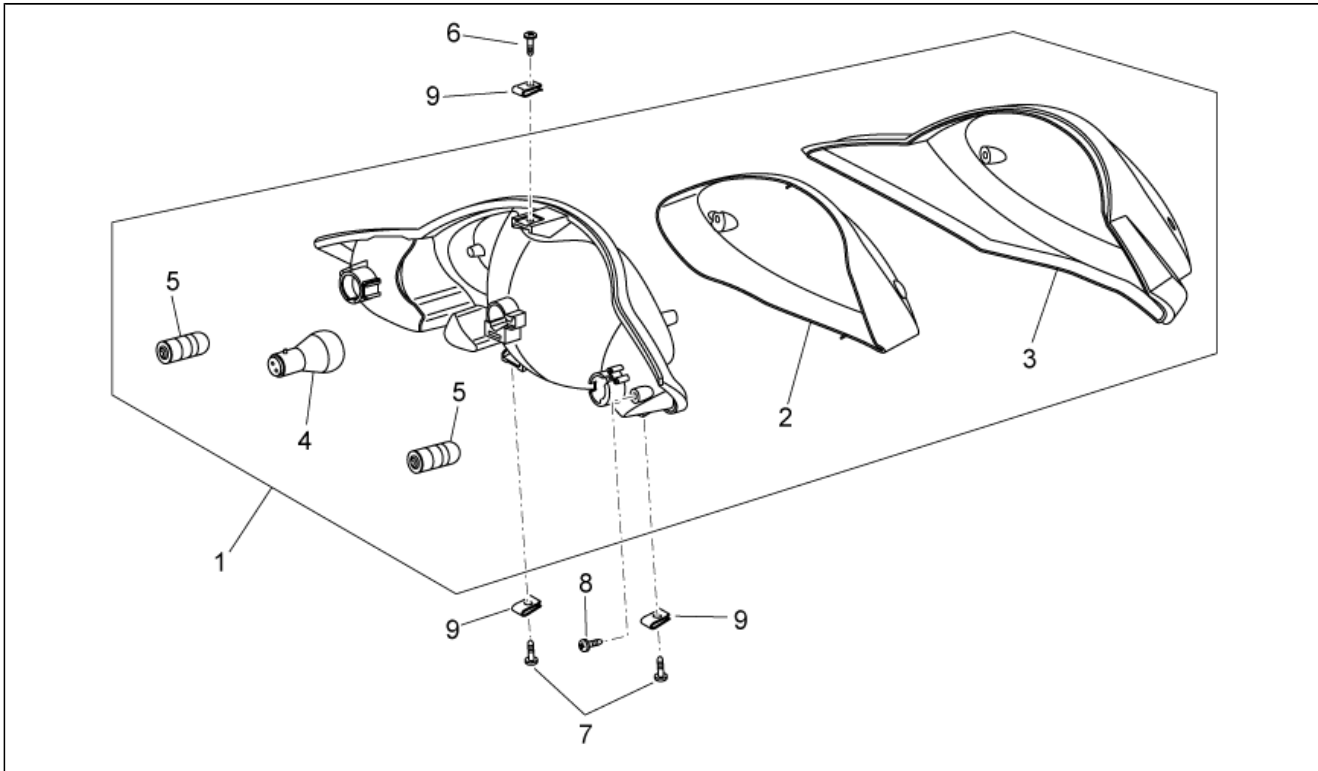
Pos.	Code	Description	Qty	Variants
1	JC69100X94000	Rear brake caliper D32	1	
2	AP8133946	Rear pads pair	1	
3	JCA20178030JN00	Screw w/ flange	2	

Group	FRAME
Code	28.36
Description	Headlight
Service	1



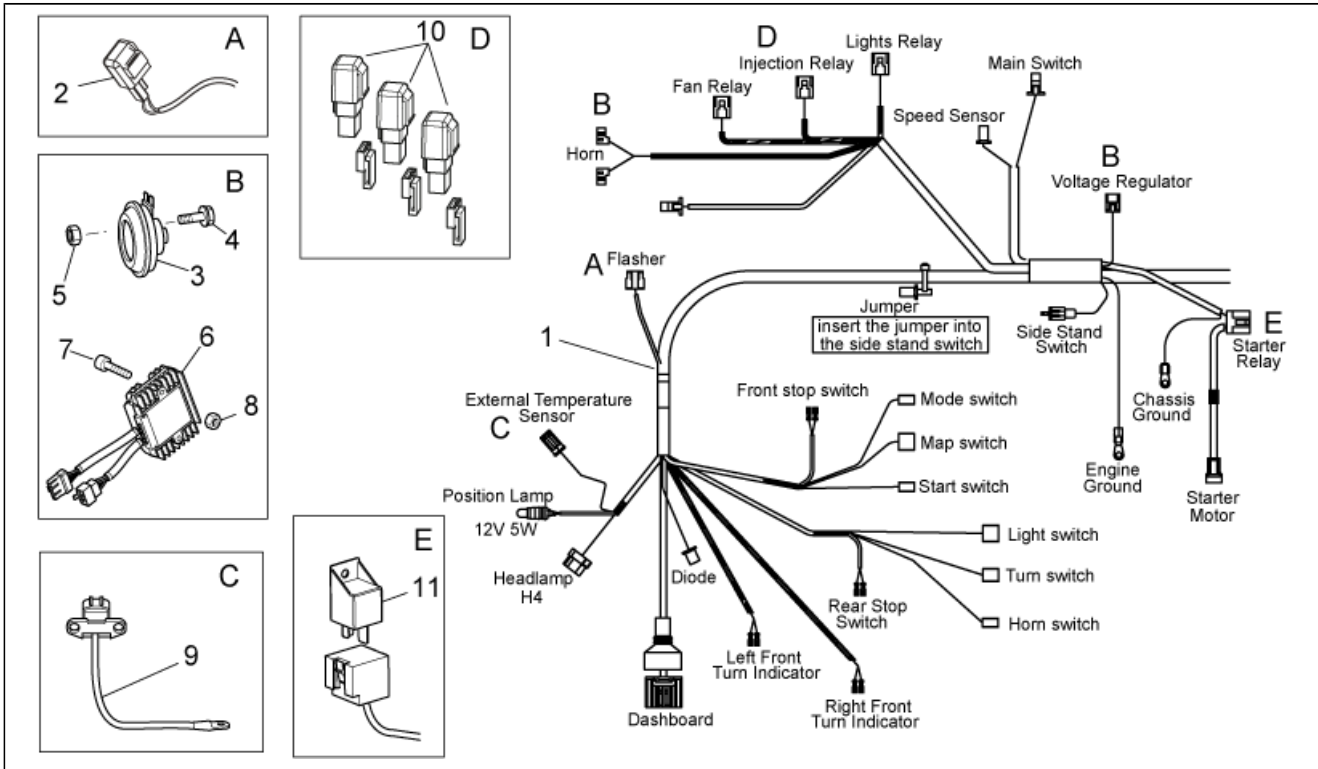
Pos.	Code	Description	Qty	Variants
1	JC35100X92000	Headlight	1	
2	294353	Lamp H7 55W 12V	1	
3	292022	Lamp 12V-5W	1	
4	JC35601X92000	RH front turn indicator	1	
5	JC35611X92000	RH Turn indicator f.lens	1	
6	AP8127489	Lamp RY10W 12V	2	
7	JC35602X92000	LH front turn indicator	1	
8	JC35612X92000	LH front turn indicator lens	1	

Group	FRAME
Code	28.37
Description	Taillight
Service	1



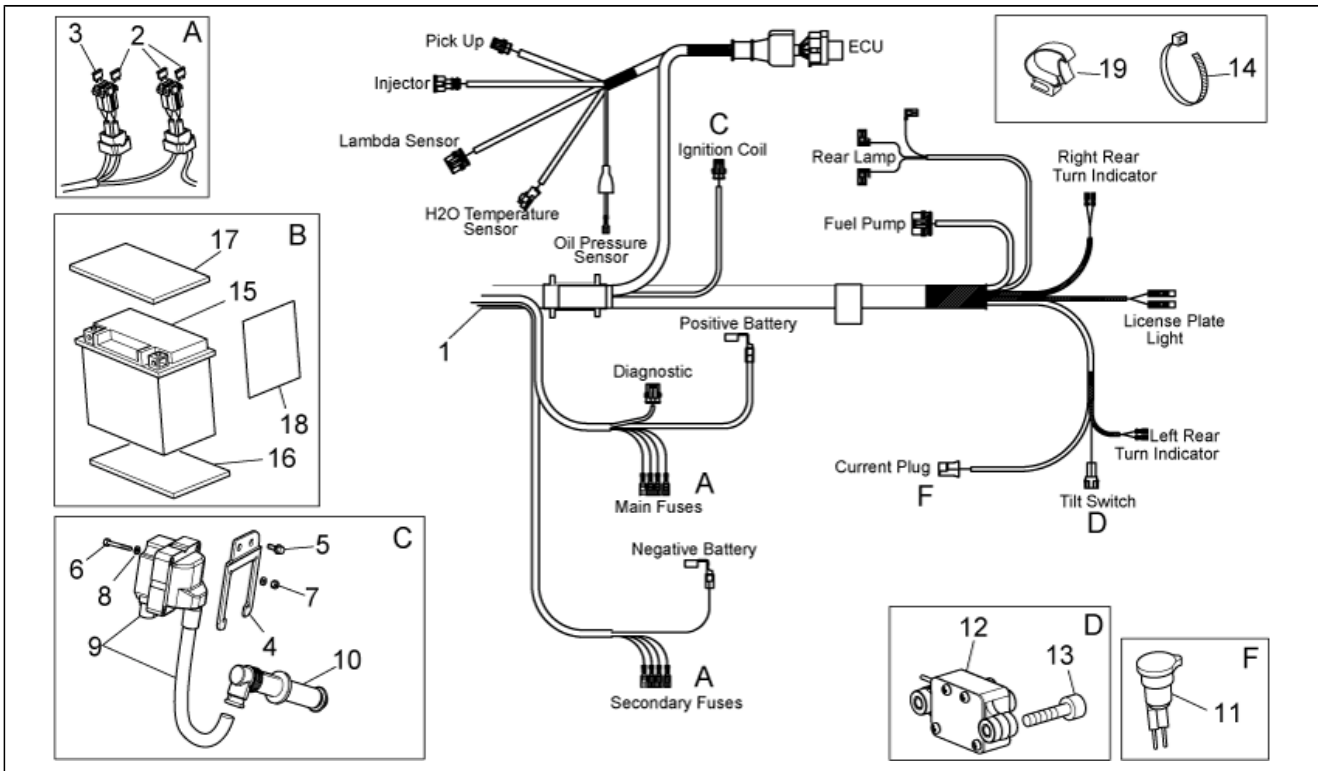
Pos.	Code	Description	Qty	Variants
1	JC35710X92000	Taillight	1	
2	JC35711X92000	Taillight lens,red	1	
3	JC35712X92000	Taillight lens	1	
4	129953	Lamp 12V-21/5W	1	
5	AP8127489	Lamp RY10W 12V	2	
6	JC09137X92000	Screw 4,2x13	1	
7	JC09132X92000	Screw 4,2x16	2	
8	JC09133X92000	Screw 3,8x13,5	2	
9	JC09147X92000	Screw clip	3	

Group	FRAME
Code	28.38
Description	Electrical system I
Service	1



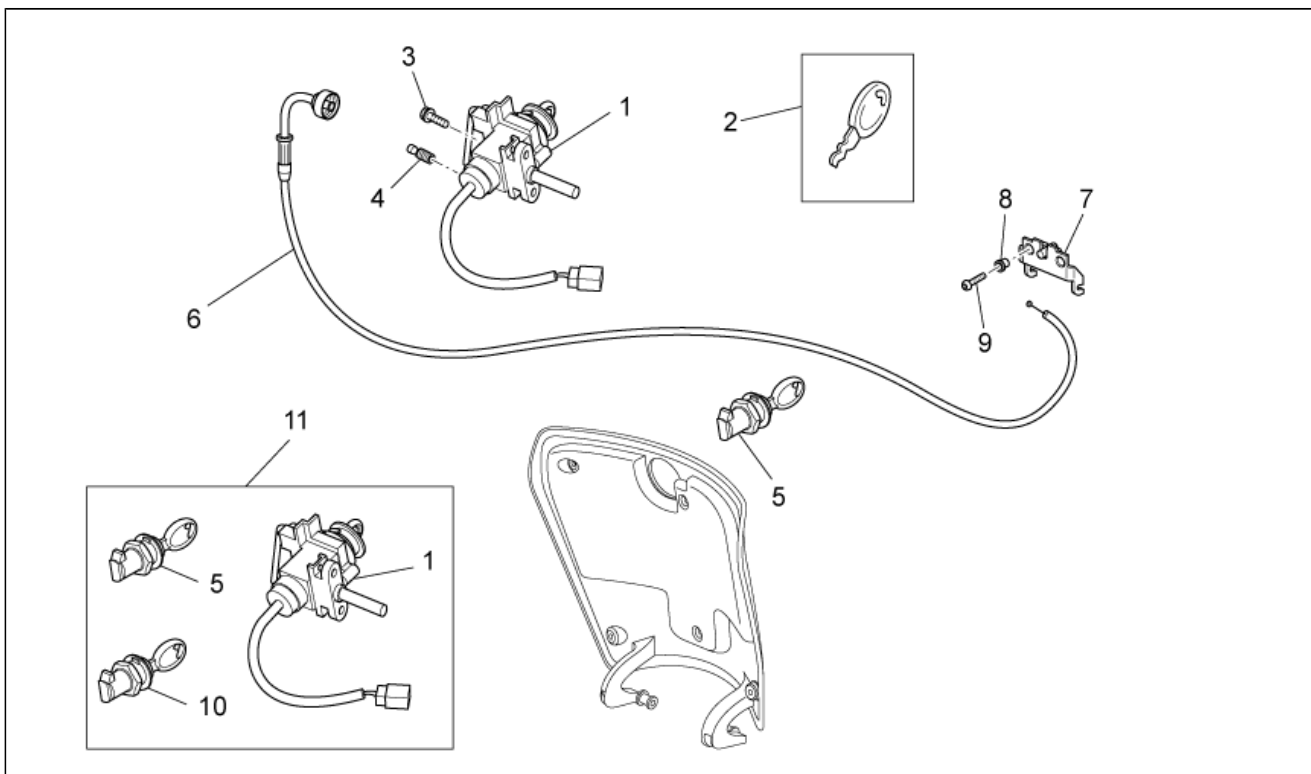
Pos.	Code	Description	Qty	Variants
1	JC36600X94000	Main wiring harness	1	
2	AP8127847	Flasher unit	1	
3	JC38500X94000	Horn	1	
4	AP8152285	Screw w/ flange	1	
5	JCB51100800JN00	Nut M8	1	
6	JC32800X94000	Voltage regulator	1	
7	JCA20106025JN00	Screw w/ flange M6x25	2	
8	JCB51100600JN00	Self-locking nut	2	
9	JC39110X92000	Air temp. Sensor	1	
10	JC38630X92000	Relay	3	
11	58115R	Starter relay 12V-80A	1	

Group	FRAME
Code	28.39
Description	Electrical system II
Service	1



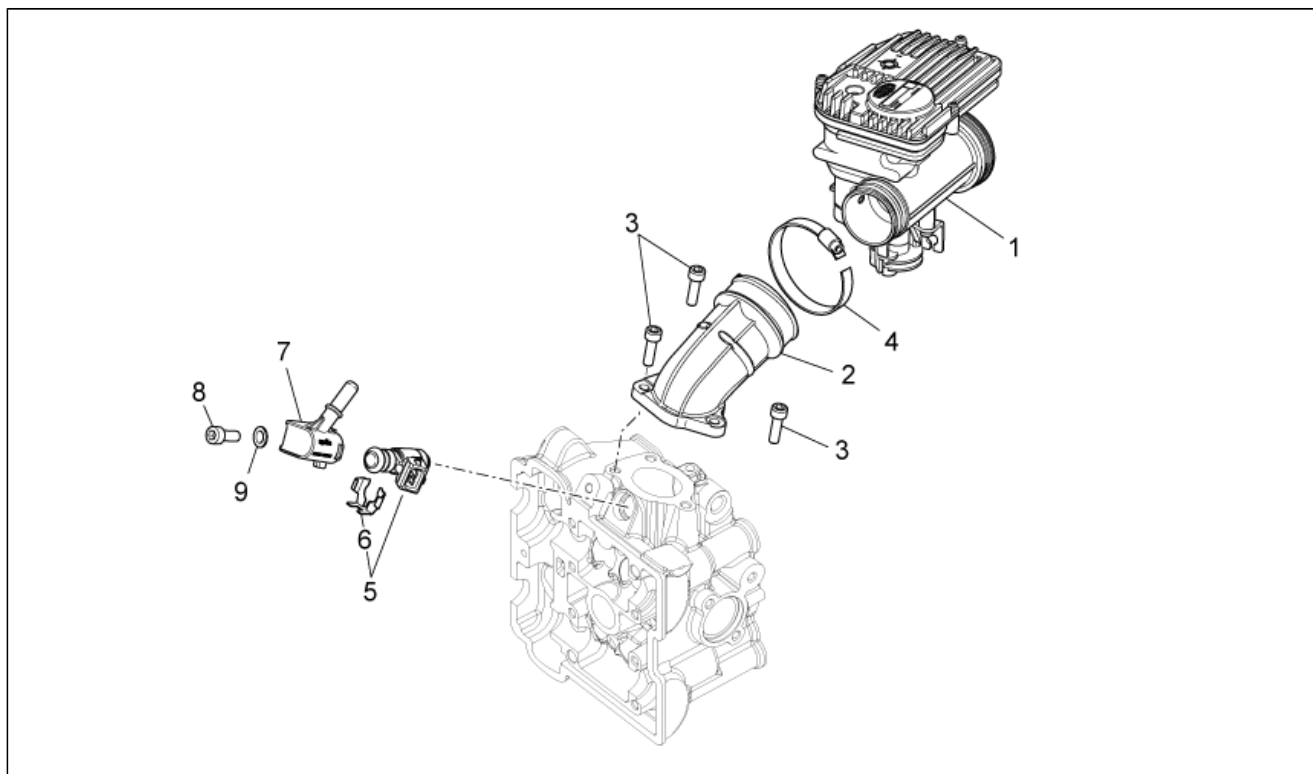
Pos.	Code	Description	Qty	Variants
1	JC36600X94000	Main wiring harness	1	
2	JC36711X92000	Fuse 20A	2	
3	JC36712X92000	Fuse 15A	4	
4	JC33210X94000	Coil support plate	1	
5	JCA20106012JN00	Screw M6x12	2	
6	JCC42163025JN00	Screw M3x25	4	
7	JCB56100300JN00	Nut M3	4	
8	JCD11200300JN00	Washer M3	8	
9	JC33400X94000	HT coil+cable	1	
10	JC33510X94000	Scr. sparkplug cap	1	
11	JC33700X92000	Socket	1	
12	JC37910X94000	Security sensor	1	
13	JCA20106030JN00	Screw w/ flange M6x30	2	
14	AP8120416	Black hose 178x4*	20	
15	583158	Battery 12V-10Ah	1	
16	JC33651X92000	Support rubber part	1	
17	JC33653X92000	Support rubber part	1	
18	JC33652X92000	Support rubber part	2	
19	CM013202	Molletta ritegno tubi/cavi	2	

Group	FRAME
Code	28.40
Description	Lock hardware kit
Service	1



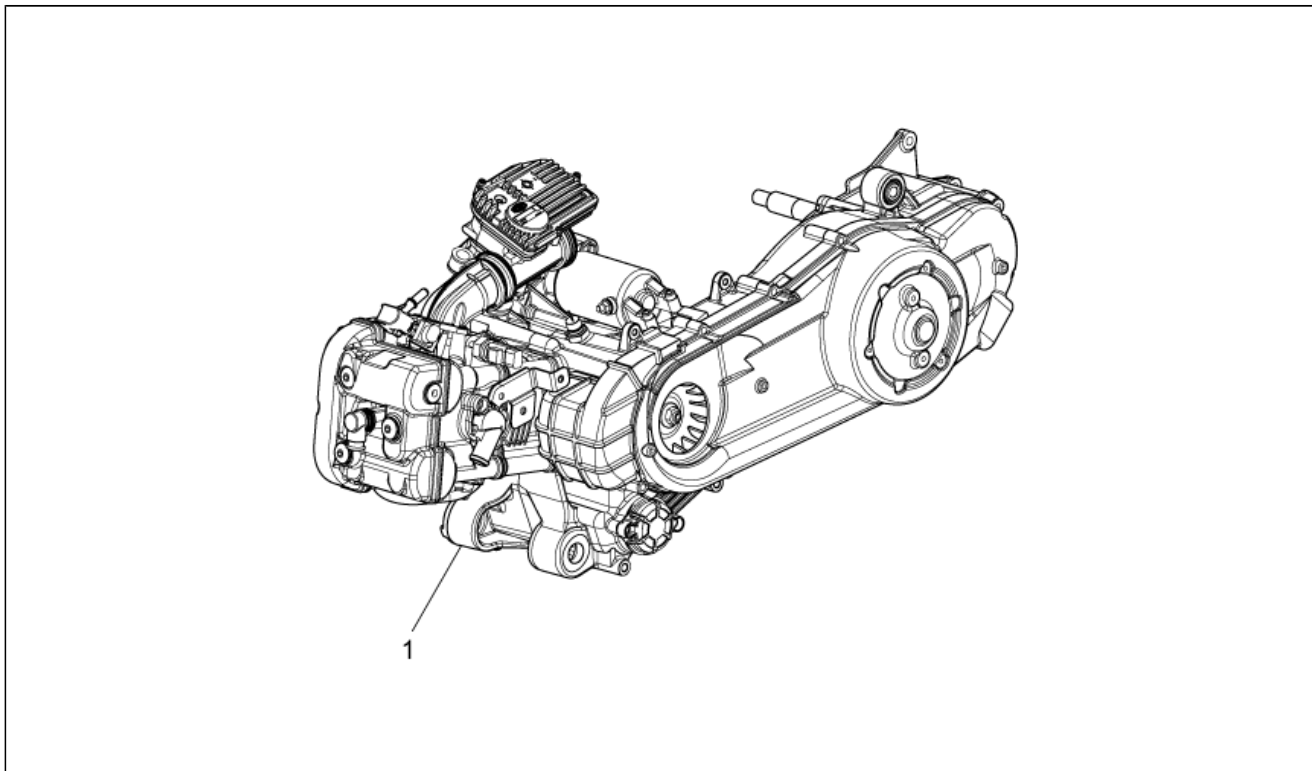
Pos.	Code	Description	Qty	Variants
1	JC37100X92000	Main switch - steering lock	1	
2	JC37111X94000	"Aprilia" key w/out transpo.	1	
3	JCA20106016JN00	Screw M6x16	1	
4	JC09119X92000	Shear rivet	1	
5	JC92300X92000	Front box lock	1	
6	JC45800X92000	Lock cable	1	
7	JC45700X92000	Saddle lock	1	
8	JC45611X92000	T bush	2	
9	JC02142X06163	Hex socket screw	1	
10	JC93300X92000	Top box lock	1	
11	JC37000X94000	Lock hardware kit	1	

Group	ENGINE
Code	29.29
Description	Injection unit
Service	1



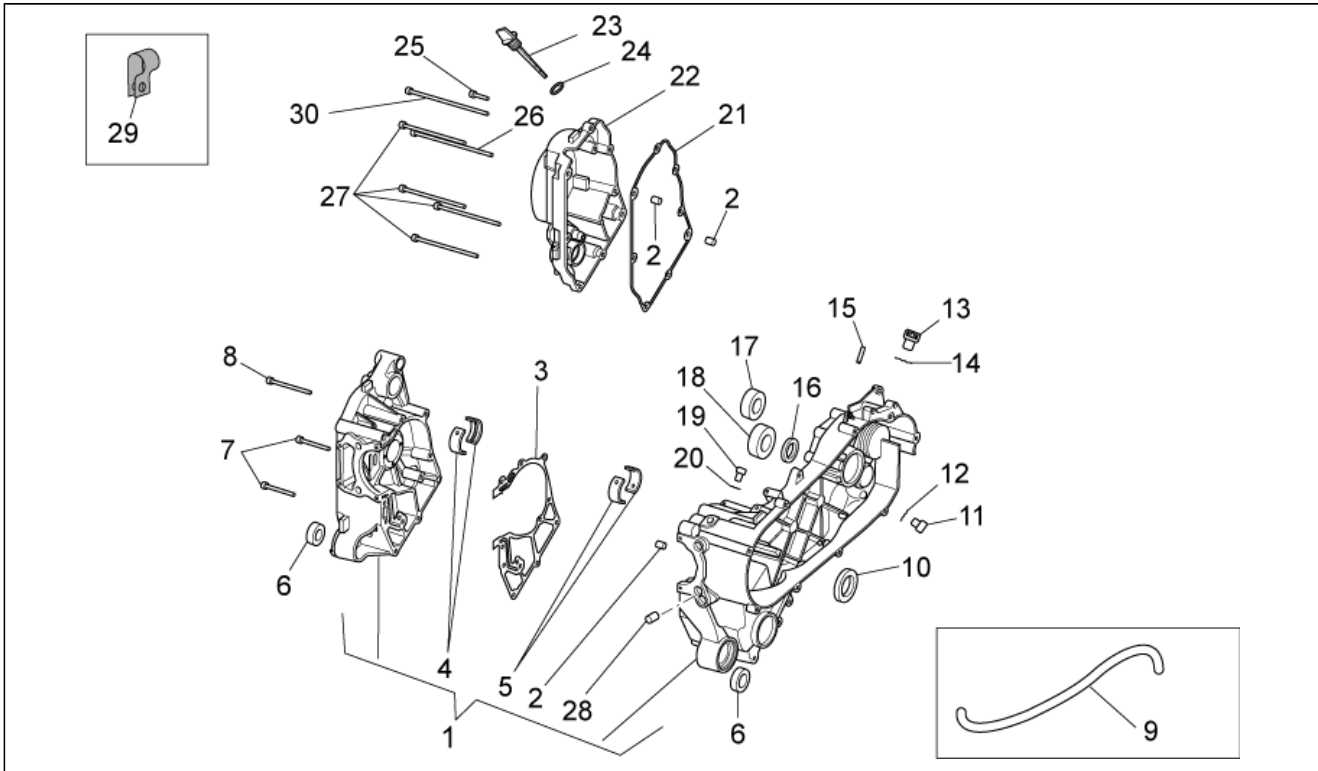
Pos.	Code	Description	Qty	Variants
1	CM081711	Throttle body	1	Technical Specifications: 125 cc version[125]
1	CM081712	Throttle body	1	Technical Specifications: 200 cc version[200]
2	JC13101X05300	Manifold	1	
3	AP4ADN000014	Screw	3	
4	614188	Hose clamp	1	
5	890225	Injector kit complete IWP198	1	
6	849898	Spring	1	
7	JC33921X05300	Support	1	
8	709099	Hex socket screw	1	
9	013934	Flat washer 6x11	1	

Group	ENGINE
Code	29.30
Description	Engine
Service	1



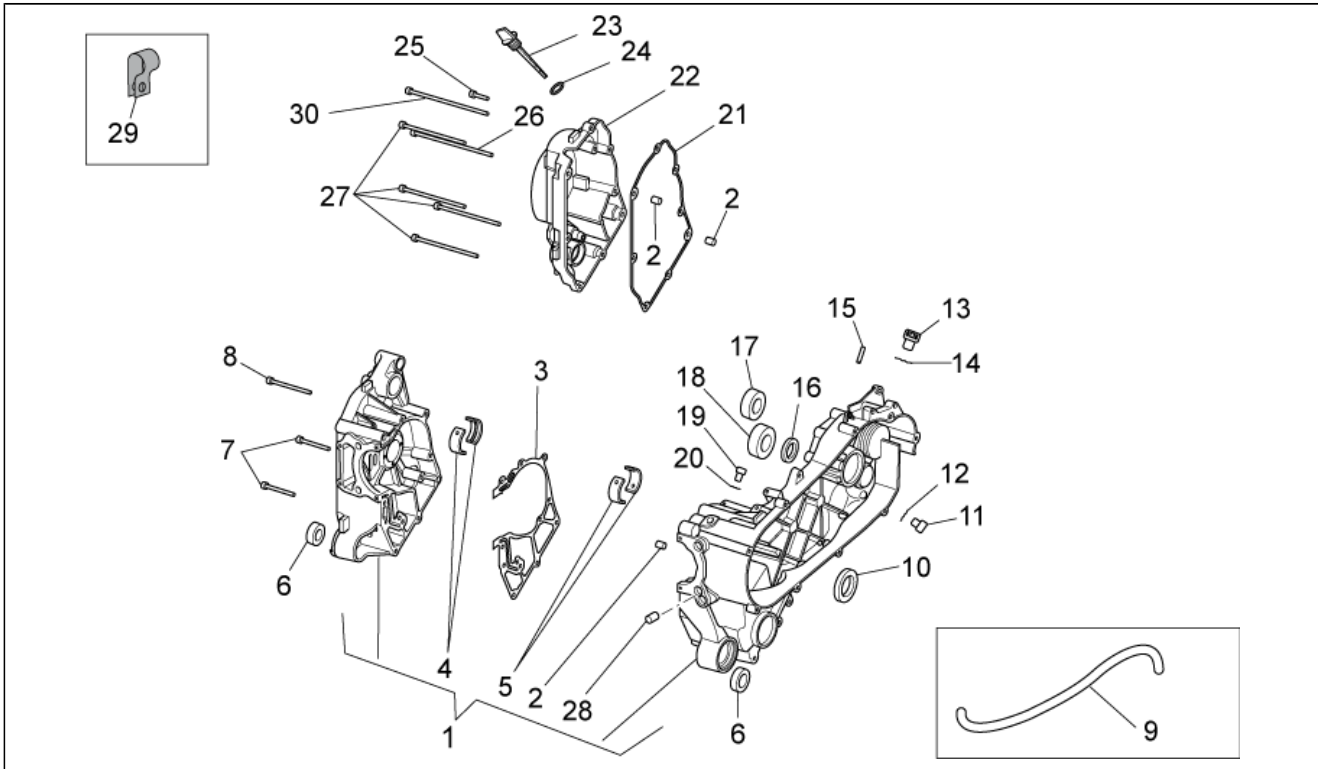
Pos.	Code	Description	Qty	Variants
1	CM225301	Engine	1	Technical Specifications: 125 cc version[125]
1	CM225302	Engine	1	Technical Specifications: 200 cc version[200]

Group	ENGINE
Code	29.41
Description	Crankcase
Service	1



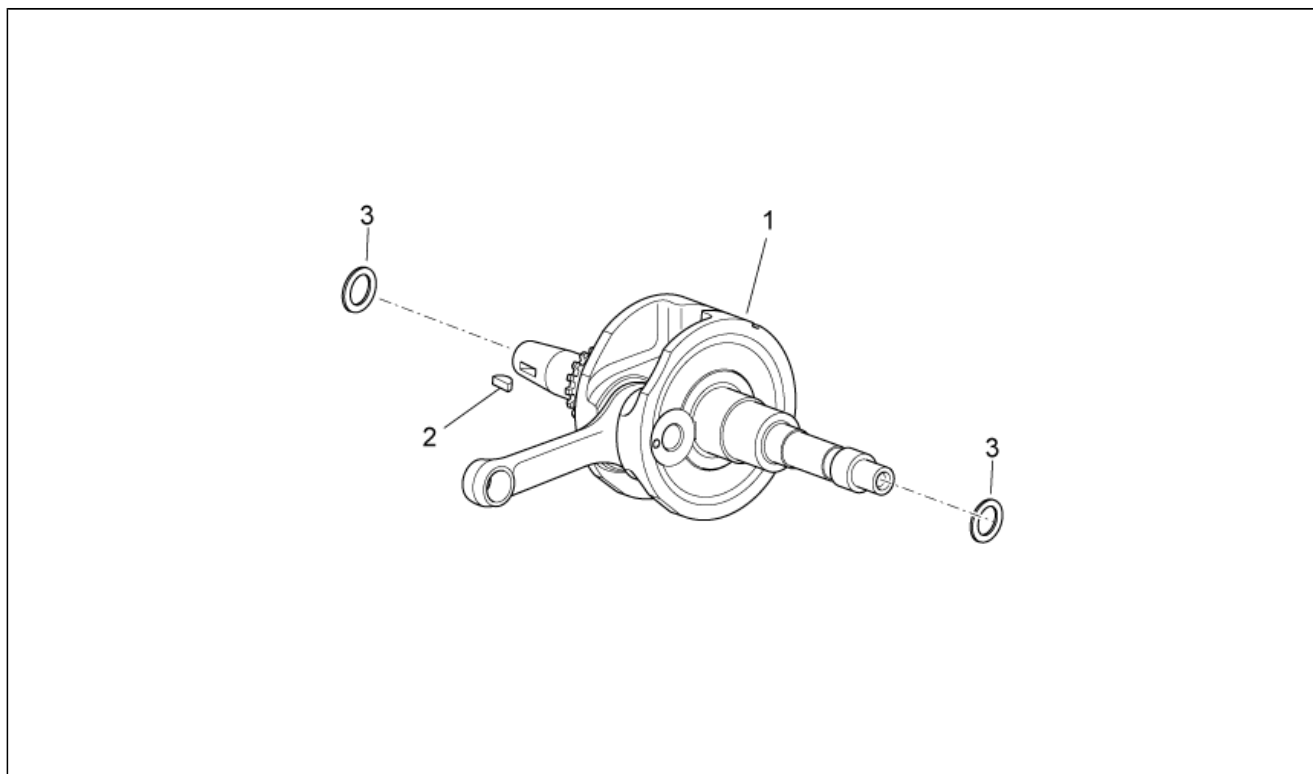
Pos.	Code	Description	Qty	Variants
1	856164	Crankcase assy	1	Technical Specifications: 125 cc version[125]
1	856165	Crankcase assy	1	Technical Specifications: 200 cc version[200]
2	AP3FCN000126	Pin d.10 h=13	4	
3	AP3HVA000301	Gasket	1	
4	8580170001	Semiguscio bronzina cat. a blu	2	
4	8580170002	Semiguscio bronzina cat.b rossa	2	
4	8580170003	Bearing half-shell dx yellow	2	
5	8580180001	Semiguscio bronzina cat.a rossa	2	
5	8580180002	Semiguscio bronzina cat.b blu	2	
5	8580180003	Bearing half-shell sx yellow	2	
6	AP4GAN000263	Ball bearing	2	
7	AP4ADN000141	Screw M6x50	2	
8	AP4ADN000142	Screw M6x70	1	
9	JC09354X00300	Breather pipe	1	
10	852995	Gasket ring 30x52x7	1	
11	AP3HAA000305	Oil plug	1	
12	AP4EAN000148	Gasket 12x18	1	
13	AP3HAA000306	Oil load plug	1	
14	AP4EAN000147	O-ring	1	
15	AP3HDN000122	Pipe 6,5X25	1	
16	AP4EBN000228	Gasket ring 25x40x7	1	
17	AP4GAN000137	Ball bearing	1	
18	AP4GAN000136	Ball bearing	1	
19	AP4ADN000145	Screw M8x14	1	
20	AP4EAN000146	Gasket 8x12	1	
21	AP3HVA000302	Gasket	1	
22	852758	Flywheel cover cpl.	1	
23	AP3HAA000303	Oil level rod cpl.	1	

Group	ENGINE
Code	29.41
Description	Crankcase
Service	1



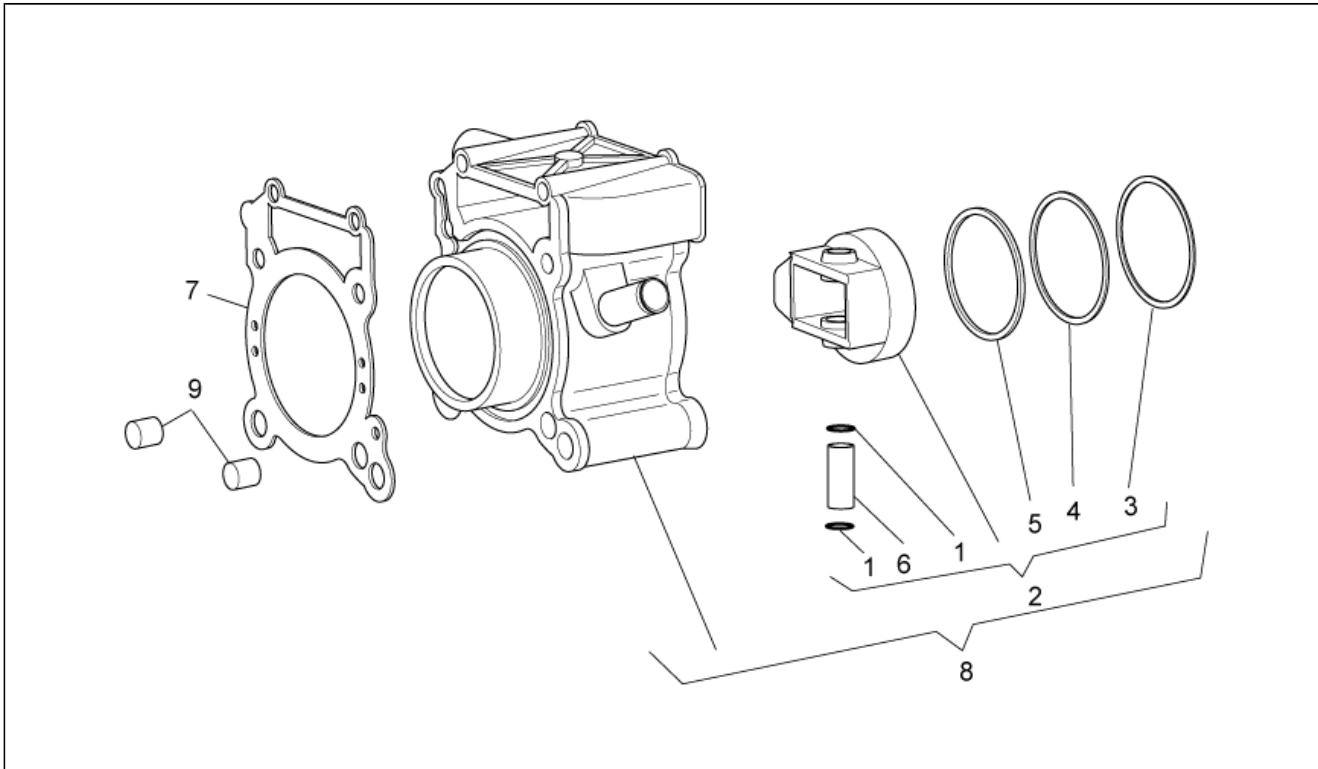
Pos.	Code	Description	Qty	Variants
24	AP4EAN000134	O-ring	1	
25	AP4ADN000016	Hex socket screw	1	
26	AP4ADN000144	Hex socket screw M6x140	1	
27	AP4ADN000143	Hex socket screw M6x110	5	
28	AP4FCN000324	Pin 5x12	1	Technical Specifications:125 cc version[125]
29	JC09404X06431	Wiring clip	2	
30	JCC2010X6170W	Hex socket screw M6x170	1	

Group	ENGINE
Code	29.42
Description	Drive shaft
Service	1



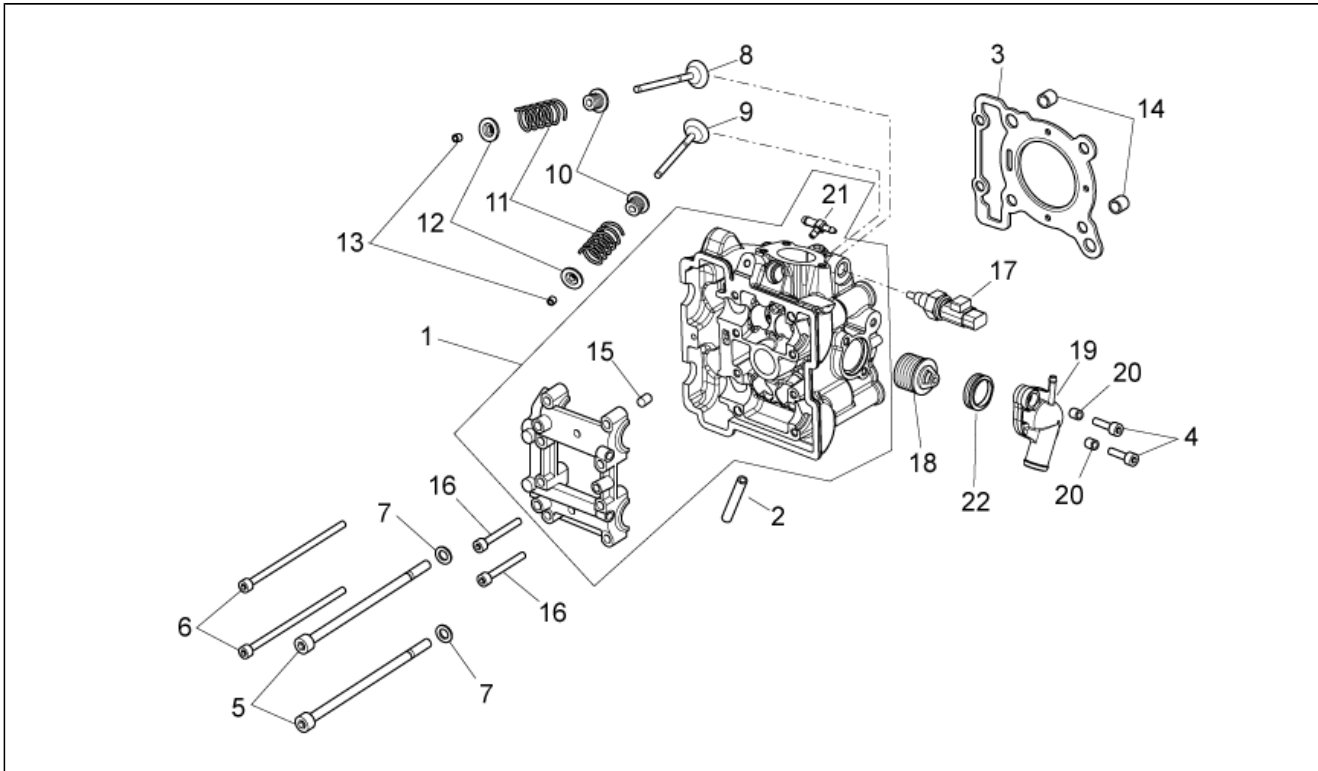
Pos.	Code	Description	Qty	Variants
1	856612	Crankshaft cpl.	1	Technical Specifications: 125 cc version[125]
1	856615	Crankshaft cpl.	1	Technical Specifications: 200 cc version[200]
2	AP2FAN000107	Transmission key	1	
3	AP3FCA000291	Washer	2	

Group	ENGINE
Code	29.43
Description	Cylinder
Service	1



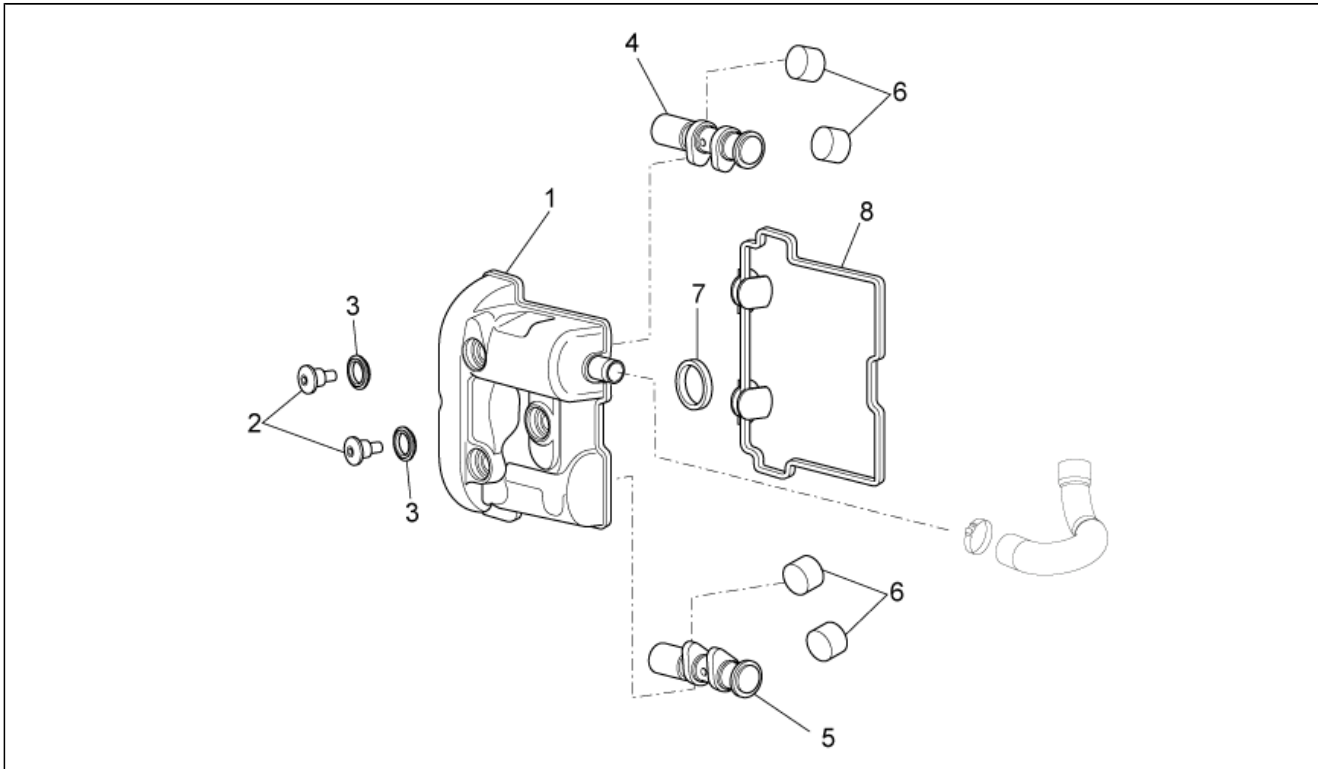
Pos.	Code	Description	Qty	Variants
1	AP2DBN000133	Snap ring	2	
2	8953440001	Piston assy .58-cat.M	1	Technical Specifications: 125 cc version[125]
2	8953440002	Piston assy .58-cat.N	1	Technical Specifications: 125 cc version[125]
2	8953440003	Piston assy .58-cat.O	1	Technical Specifications: 125 cc version[125]
2	8953440004	Piston assy .58-cat.P	1	Technical Specifications: 125 cc version[125]
2	8953450001	Piston assy .63-cat.M	1	Technical Specifications: 200 cc version[200]
2	8953450002	Piston assy .63-cat.N	1	Technical Specifications: 200 cc version[200]
2	8953450003	Piston assy .63-cat.O	1	Technical Specifications: 200 cc version[200]
2	8953450004	Piston assy .63-cat.P	1	Technical Specifications: 200 cc version[200]
3	872692	Ring	1	Technical Specifications: 125 cc version[125]
3	872727	Ring	1	Technical Specifications: 200 cc version[200]
4	872693	Ring	1	Technical Specifications: 125 cc version[125]
4	872728	Ring	1	Technical Specifications: 200 cc version[200]
5	872694	Oil scraper ring	1	Technical Specifications: 125 cc version[125]
5	872729	Oil scraper ring	1	Technical Specifications: 200 cc version[200]
6	AP3EDA000268	Piston pin	1	
7	CM222801	Cylinder base gasket 0,3	1	
7	CM222802	Cylinder base gasket 0,4	1	
7	CM222803	Cylinder base gasket 0,5	1	
8	895342	Cylinder with piston	1	Technical Specifications: 125 cc version[125]
8	895343	Cylinder with piston	1	Technical Specifications: 200 cc version[200]
9	AP3FCN000128	Bush	2	

Group	ENGINE
Code	29.44
Description	Cylinder head
Service	1



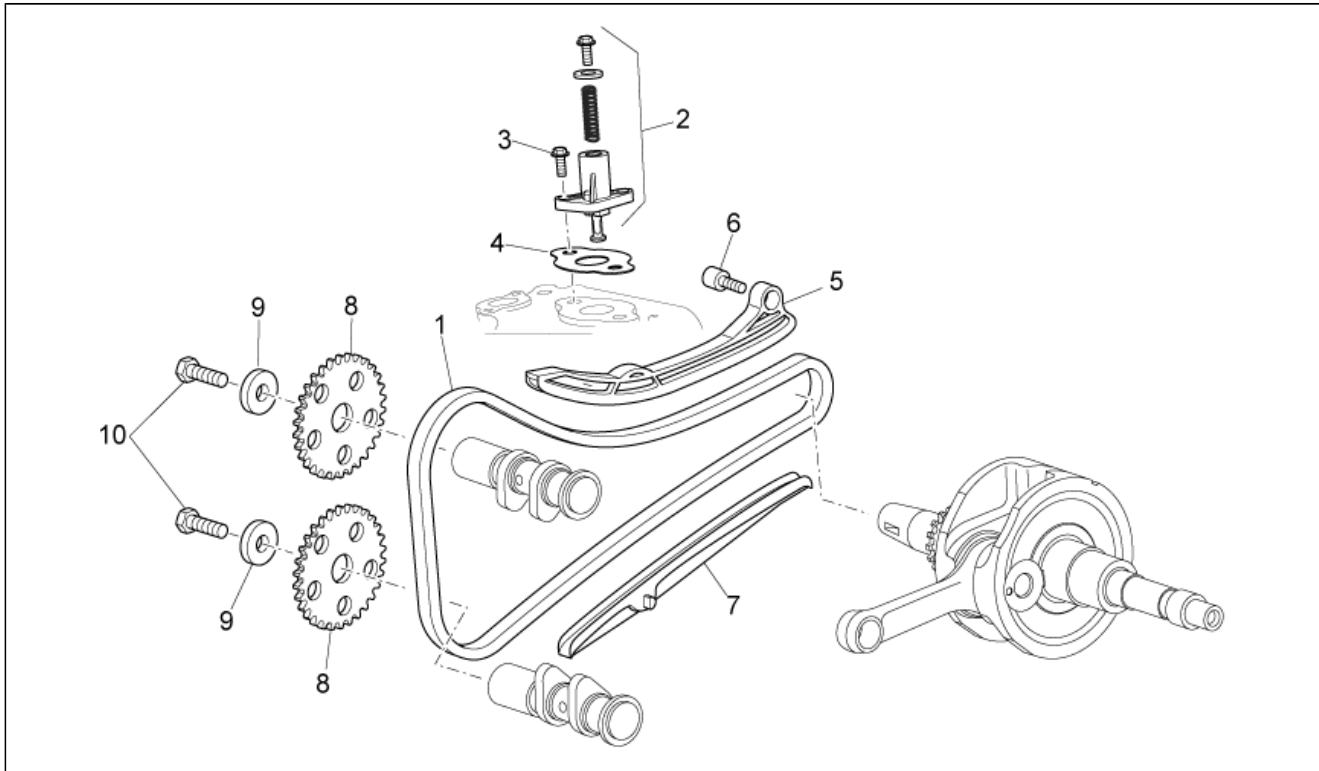
Pos.	Code	Description	Qty	Variants
1	JC11A00X05300	Cylinder head assy.	1	Technical Specifications: 125 cc version[125]
1	JC11A00X05400	Cylinder head assy.	1	Technical Specifications: 200 cc version[200]
2	AP3BAN000246	Exhaust pipe stud bolt	2	
3	82893R	Cylinder head gasket	1	Technical Specifications: 125 cc version[125]
3	854795	Cylinder head gasket	1	Technical Specifications: 200 cc version[200]
4	AP4ADN000014	Screw	2	
5	AP3ADN000115	Screw M8x166	4	
6	AP4ABN000117	Screw M6x130	2	
7	AP3EEN000234	Washer	4	
8	AP3CLA000636	Intake valve	2	Technical Specifications: 125 cc version[125]
8	AP3CLA000638	Intake valve	2	Technical Specifications: 200 cc version[200]
9	AP3CLA000637	Exhaust valve	2	Technical Specifications: 125 cc version[125]
9	AP3CLA000639	Exhaust valve	2	Technical Specifications: 200 cc version[200]
10	854563	Valve stem seal	4	
11	AP3CHA000237	Spring	4	
12	AP3CGA000635	Upper cup	4	
13	AP3CIA000238	Half-cone	8	
14	AP3FCN000128	Bush	2	
15	AP3FCN000127	Locating dowel 8X10	2	
16	AP4ADN000248	Screw M6x40	8	
17	640485	Temperature gauge	1	
18	890494	Thermostat	1	
19	AP3BAA000207	Thermostat cover	1	
20	AP3FCN000250	Spacer 6x8x6,8	2	
21	JC11121X05300	Breather pipe union	1	
22	504305	Thermostat gasket	1	

Group	ENGINE
Code	29.45
Description	Camshaft
Service	1



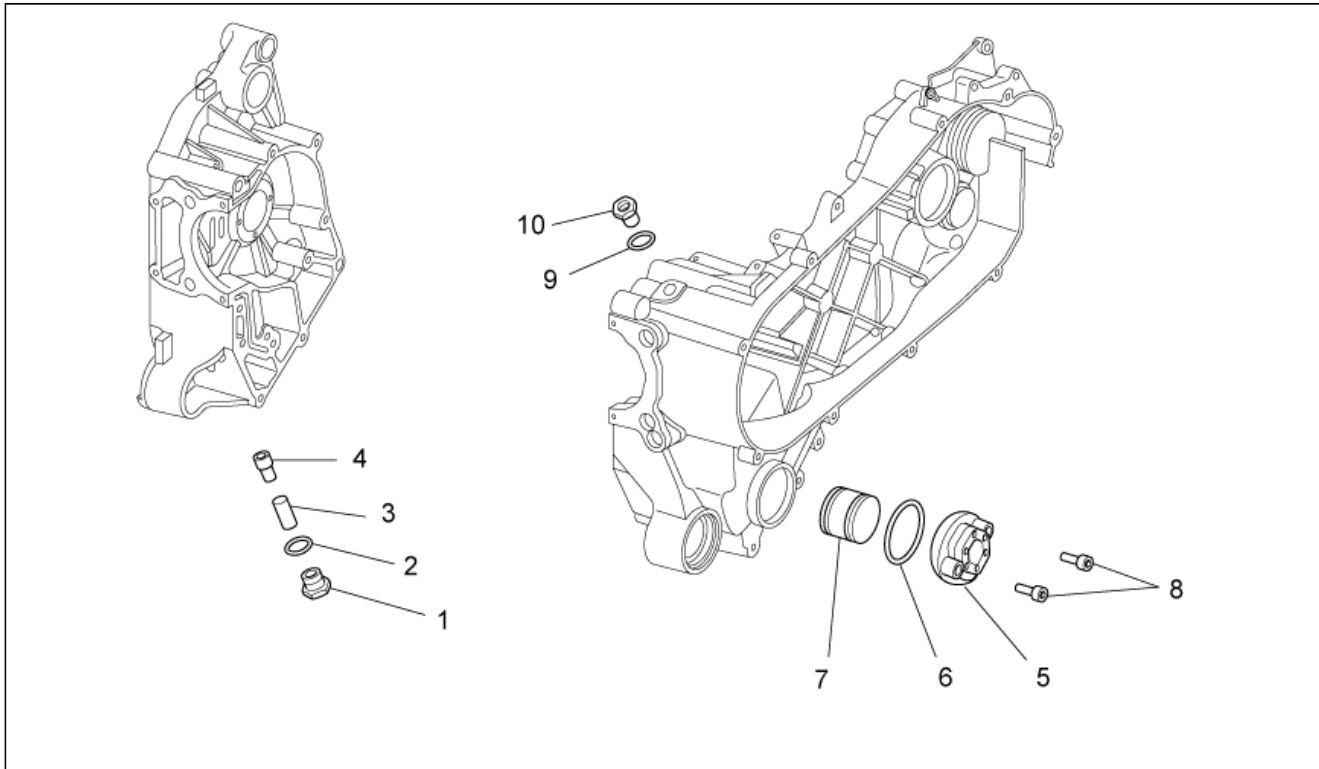
Pos.	Code	Description	Qty	Variants
1	JC70005X00300	Head cover	1	
2	AP3ATN000118	Special screw	4	
3	AP3CAA000399	Elastic drift	4	
4	AP3CBA000674	Intake camshaft	1	Technical Specifications: 200 cc version[200]
4	AP3CBA000675	Intake camshaft	1	Technical Specifications: 125 cc version[125]
5	AP3CBA000677	Exhaust camshaft	1	
6	CM222701	Valve lifter bucket 2,2	1	
6	CM222702	Valve lifter bucket 2,25	1	
6	CM222703	Valve lifter bucket 2,3	1	
6	CM222704	Valve lifter bucket 2,35	1	
6	CM222705	Valve lifter bucket 2,4	1	
6	CM222706	Valve lifter bucket 2,45	1	
6	CM222707	Valve lifter bucket 2,5	1	
6	CM222708	Valve lifter bucket 2,55	1	
6	CM222709	Valve lifter bucket 2,6	1	
6	CM222710	Valve lifter bucket 2,65	1	
6	CM222711	Valve lifter bucket 2,7	1	
6	CM222712	Valve lifter bucket 2,75	1	
7	873652	Gasket	1	
8	873651	Gasket	1	

Group	ENGINE
Code	29.46
Description	Chain tensioner
Service	1



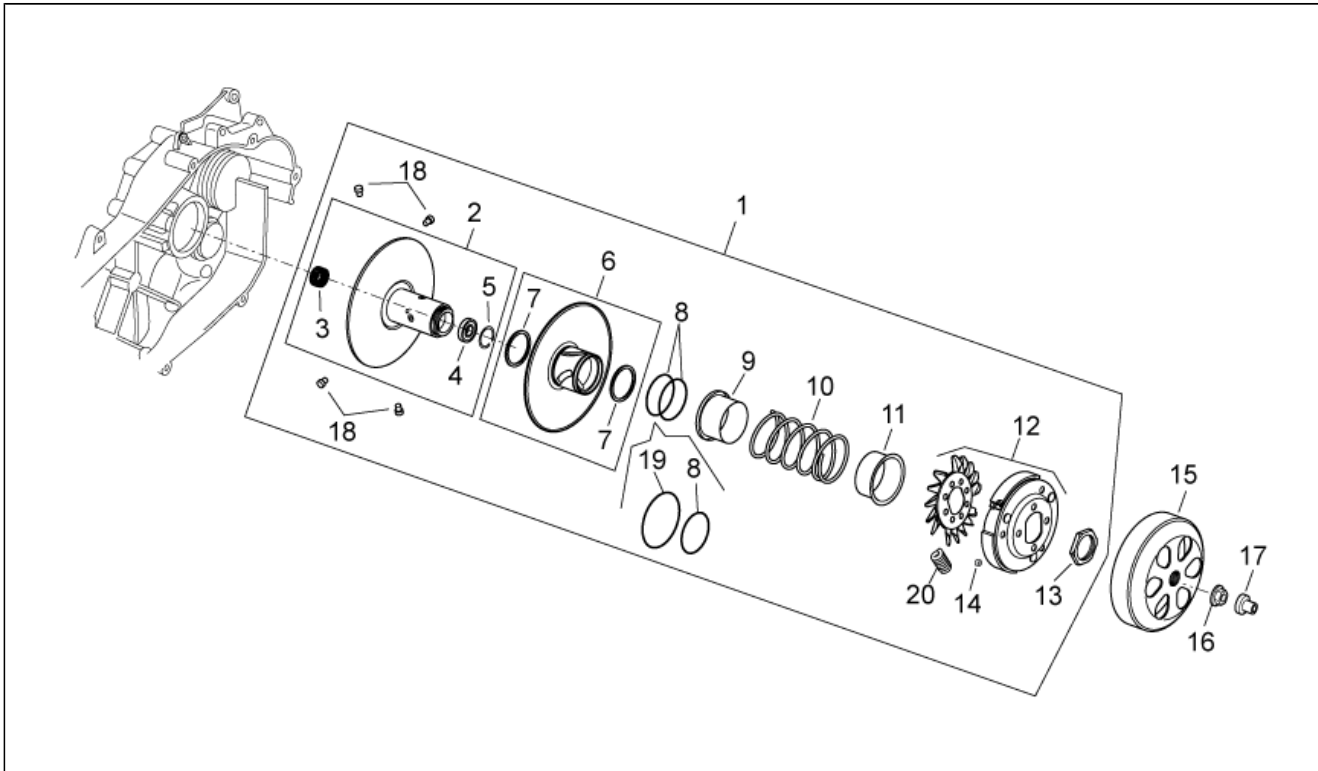
Pos.	Code	Description	Qty	Variants
1	AP2DCA000254	Camshaft chain	1	
2	82650R	Tendicatena completo	1	
3	434541	Screw w/ flange M6x16	1	
4	847928	Gasket	1	
5	AP3DDA000380	Chain tensioner sliding block	1	
6	AP3AVN000197	Screw	1	
7	AP3DDA000379	Chain guide plate	1	
8	AP3DBA000640	Timing gear	2	
9	AP3DVN000235	Washer	2	
10	AP4ABN000132	Screw M8x40	2	

Group	ENGINE
Code	29.47
Description	Oil filter
Service	1



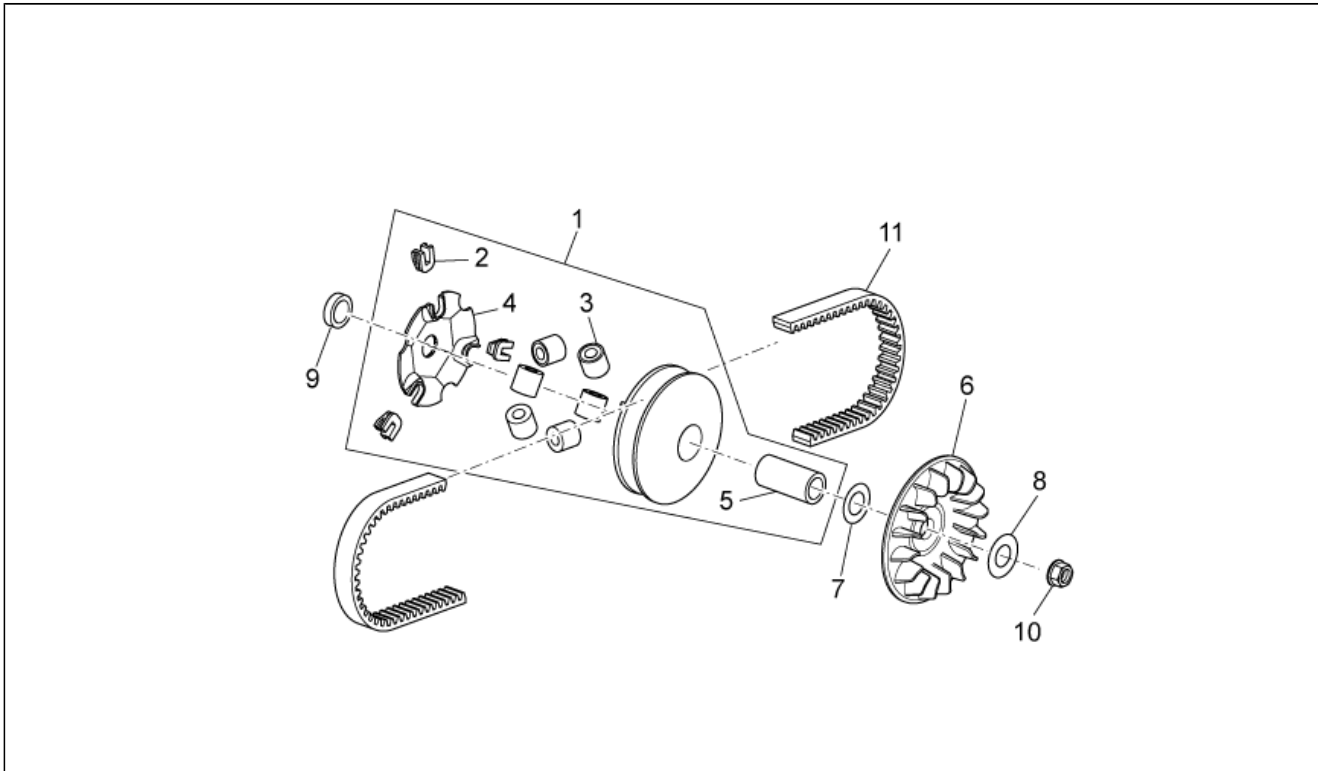
Pos.	Code	Description	Qty	Variants
1	AP3HAA000307	Oil filter plug	1	
2	AP2DEN000135	Gasket 18X24X1	1	
3	AP3HAA000385	Intake oil filter	1	
4	AP3HDN000119	Oil filter union	1	
5	852932	Oil filter cover	1	
6	AP4EAN000216	O-ring	1	
7	AP3HAA000309	Oil filter	1	
8	AP4ADN000014	Screw	1	
9	486075	Washer 16X10.5X2.5	1	
10	AP2HAA000308	Pressure sensor	1	

Group	ENGINE
Code	29.48
Description	Clutch
Service	1



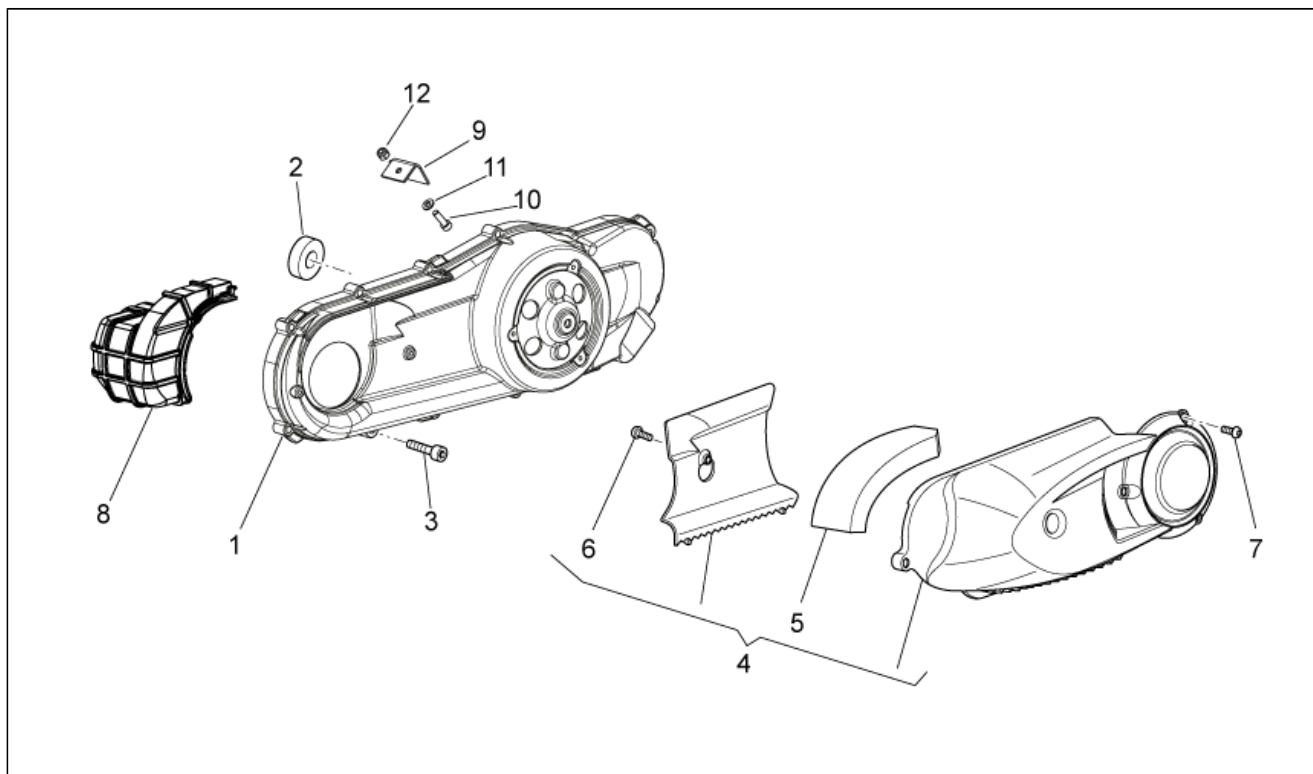
Pos.	Code	Description	Qty	Variants
1	CM144127	Secondary pulley	1	Technical Specifications: 200 cc version[200]
1	CM144136	Secondary pulley	1	Technical Specifications: 125 cc version[125]
2	830580	Fixed driven half pulley	1	Technical Specifications: 125 cc version[125]
2	878647	Sec. fixed sheave, complete	1	Technical Specifications: 200 cc version[200]
3	82518R	Roller cage 20x29x18	1	
4	82753R	Bearing 17x30x7	1	
5	483226	Snap ring	1	
6	827595	Sec.sliding sheave	1	Technical Specifications: 125 cc version[125]
6	878651	Sec. sliding sheave, complete	1	Technical Specifications: 200 cc version[200]
7	431089	Gasket ring	2	
8	430585	Gasket	1	Technical Specifications: 200 cc version[200]
8	430585	Gasket	2	Technical Specifications: 125 cc version[125]
9	4310935	Scodellino lato puleggia	1	Technical Specifications: 125 cc version[125]
9	833674	Cup	1	Technical Specifications: 200 cc version[200]
10	833673	Variator spring	1	Technical Specifications: 200 cc version[200]
10	872877	Variator spring	1	Technical Specifications: 125 cc version[125]
11	487936	Scodellino lato frizione	1	
12	CM144021	Centrifugal clutch assy	1	Technical Specifications: 200 cc version[200]
12	CM144022	Centrifugal clutch assy	1	Technical Specifications: 125 cc version[125]
13	433232	Ring nut	1	
14	844621	Damper drift	3	
15	485731	Clutch drum	1	
16	AP3BDN000273	Nut	1	
17	AP3MAA000753	Bush	1	
18	828717	Guide pin L=12,5	4	
19	834044	O-ring	1	Technical Specifications: 200 cc version[200]
20	434673	Variator spring	3	Technical Specifications: 200 cc version[200]
20	840197	Spring	3	Technical Specifications: 125 cc version[125]

Group	ENGINE
Code	29.49
Description	Variator assembly
Service	1



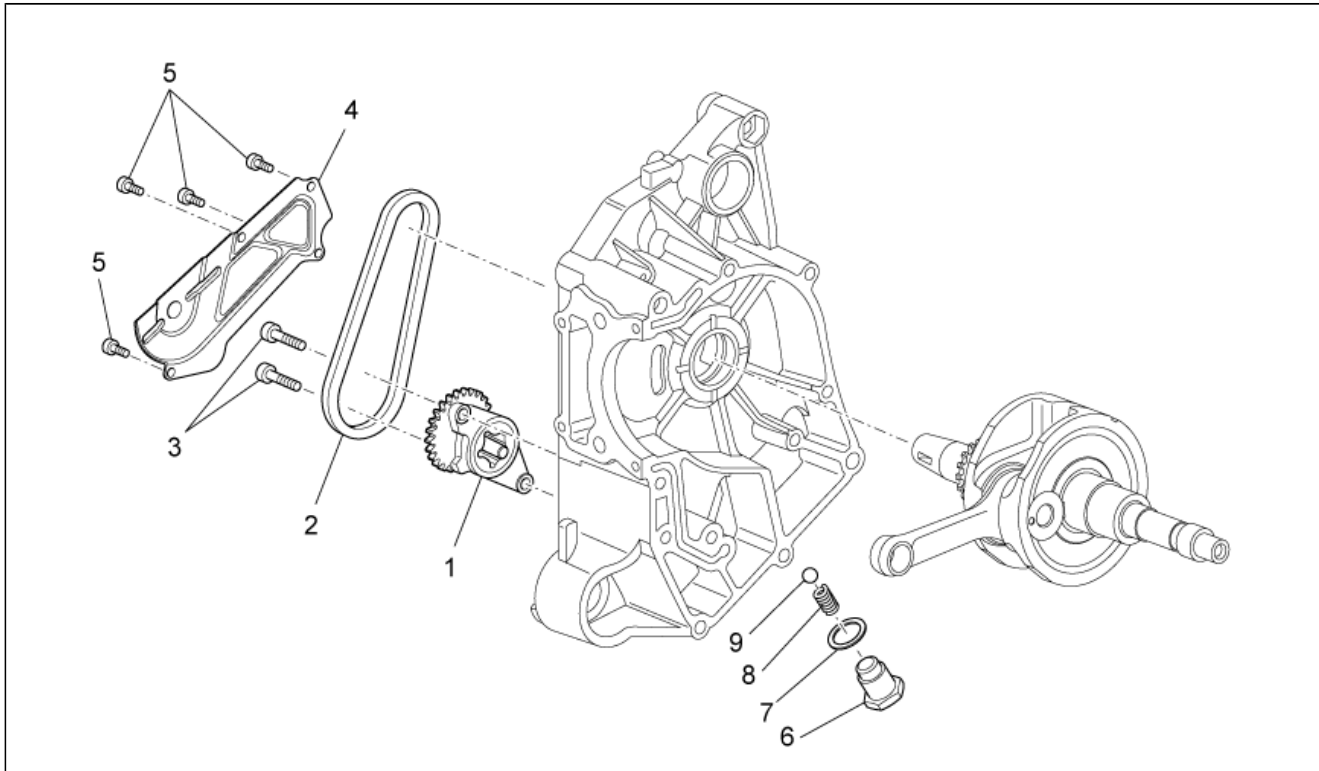
Pos.	Code	Description	Qty	Variants
1	CM144403	Half-pulley assy., driving	1	Technical Specifications: 125 cc version[125]
1	CM144409	Half-pulley assy., driving	1	Technical Specifications: 200 cc version[200]
2	4348555	Sliding block	3	
3	873451	Pin roller weight g.12	6	Technical Specifications: 200 cc version[200]
3	CM1038045	Pin roller weight g.7,4	1	Technical Specifications: 125 cc version[125]
4	842204	Roller contrast	1	
5	483889	Spacer	1	
6	832720	Fixed pulley	1	
7	JC09168X05400	Washer 2,3x32x17	1	
8	AP3DVN000274	Washer 3,5x32x17,5	1	
9	JC09181X05400	Spacer 25X17X6,5	1	
10	AP3BDN000273	Nut	1	
11	856026	V-belt	1	

Group	ENGINE
Code	29.50
Description	Variator cover
Service	1



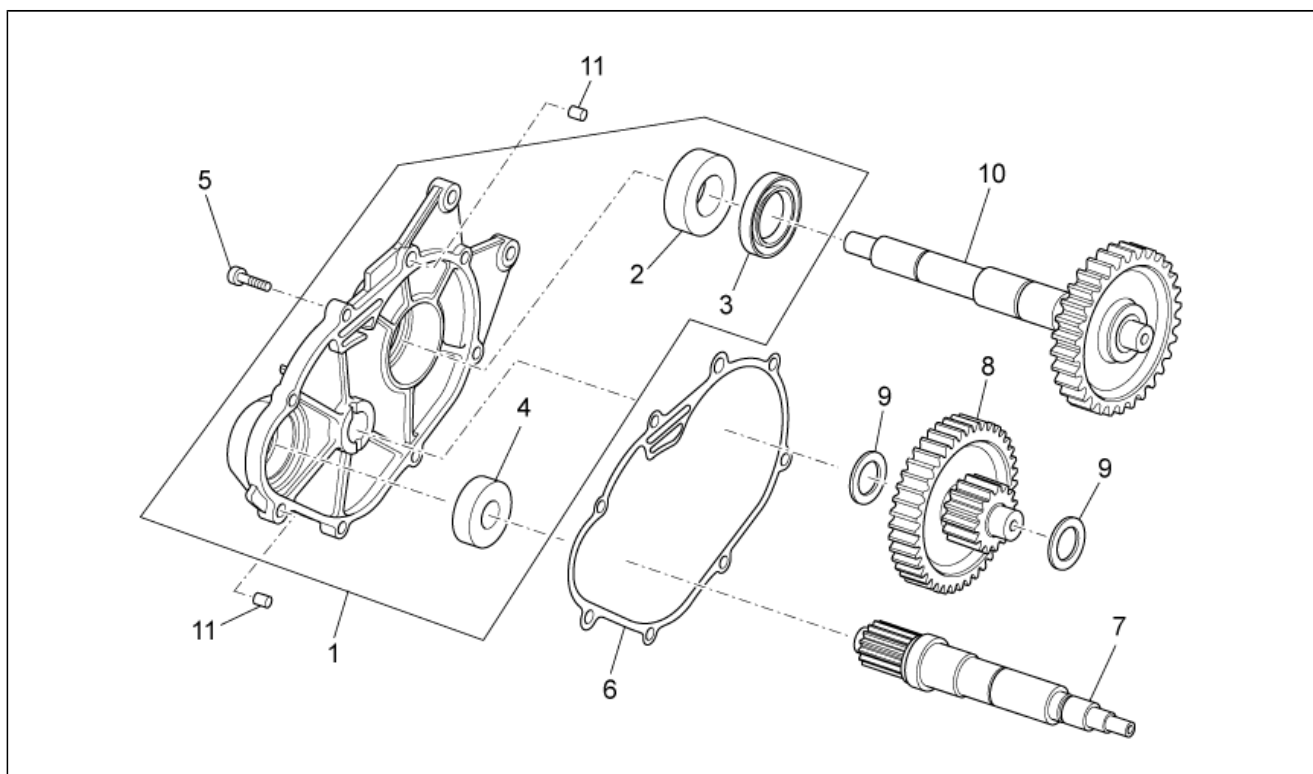
Pos.	Code	Description	Qty	Variants
1	AP3MZA000799	Transmission cover	1	Technical Specifications: 200 cc version[200]
1	JC11341X05300	Transmission cover	1	Technical Specifications: 125 cc version[125]
2	AP4GAN000301	Ball bearing 6202ZC3/5K	1	
3	AP4ADN000017	Screw	12	Technical Specifications: 125 cc version[125]
3	AP4ADN000017	Screw	11	Technical Specifications: 200 cc version[200]
4	JC63320X94000	Crank-case cover	1	
5	JC63323X92000	Filter	1	
6	JCE41104216JN00	Inox self tapping screw 2x16	1	
7	AP8152302	Screw w/ flange	5	
8	AP3MZA000801	Cover	1	Technical Specifications: 200 cc version[200]
9	JC11342X05300	Plate	1	Technical Specifications: 125 cc version[125]
10	AP4ADN000014	Screw	1	Technical Specifications: 125 cc version[125]
11	013934	Flat washer 6x11	1	Technical Specifications: 125 cc version[125]
12	AP8152299	Self-locking nut	1	Technical Specifications: 125 cc version[125]

Group	ENGINE
Code	29.51
Description	Oil pump
Service	1



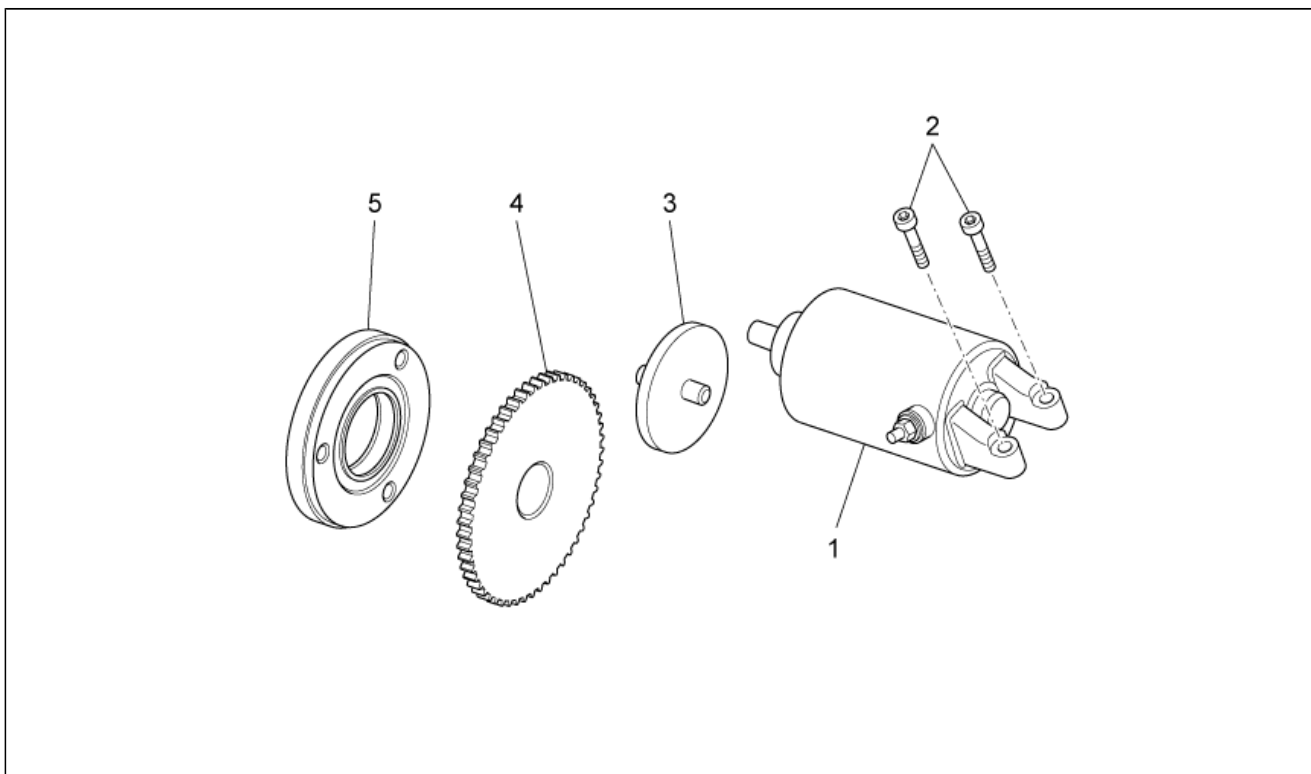
Pos.	Code	Description	Qty	Variants
1	AP11BA000843	Oil pump assy.	1	
2	AP2ICA000319	Oil pump chain	1	
3	AP4ADN000286	Hex socket screw	2	
4	AP3IBA000317	Oil bulhead	1	
5	AP4ADN000287	Hex socket screw	4	
6	AP3IDA000735	Plug	1	
7	AP2DEN000135	Gasket 18X24X1	1	
8	AP3IDA000525	Spring	1	
9	AP3IDA000524	Ball	1	

Group	ENGINE
Code	29.52
Description	Transmission
Service	1



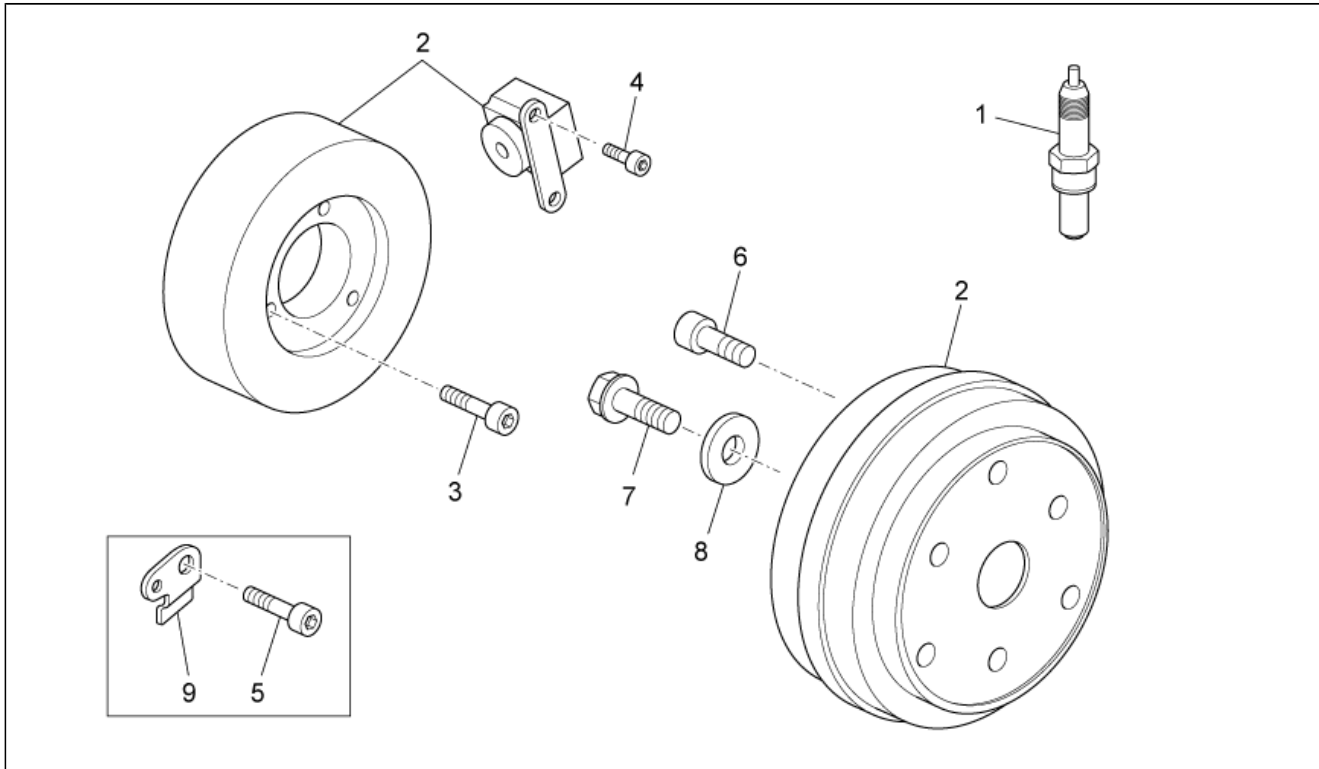
Pos.	Code	Description	Qty	Variants
1	852756	Transmission cover cpl.	1	
2	AP4GAN000154	Bearing 6302 C3	1	
3	AP4EBN000167	Oil seal 30x52x7/7.5	1	
4	AP4GAN000155	Bearing 6205 LLUCS24-1/4E	1	
5	AP4ADN000012	Hex socket screw	8	
6	AP3NVA000838	Gasket	1	
7	AP3NBA000822	Driven pulley shaft	1	
8	AP3NCA000847	Transmission shaft	1	Technical Specifications: 200 cc version[200]
8	AP3NCA000851	Transmission shaft	1	Technical Specifications: 125 cc version[125]
9	AP3NAA000357	Clearance ring	1	
10	AP3NDA000849	Rear wheel axis cpl.	1	Technical Specifications: 200 cc version[200]
10	AP3NDA000853	Rear wheel axis cpl.	1	Technical Specifications: 125 cc version[125]
11	AP3FCN000126	Pin d.10 h=13	2	

Group	ENGINE
Code	29.53
Description	Starter motor
Service	1



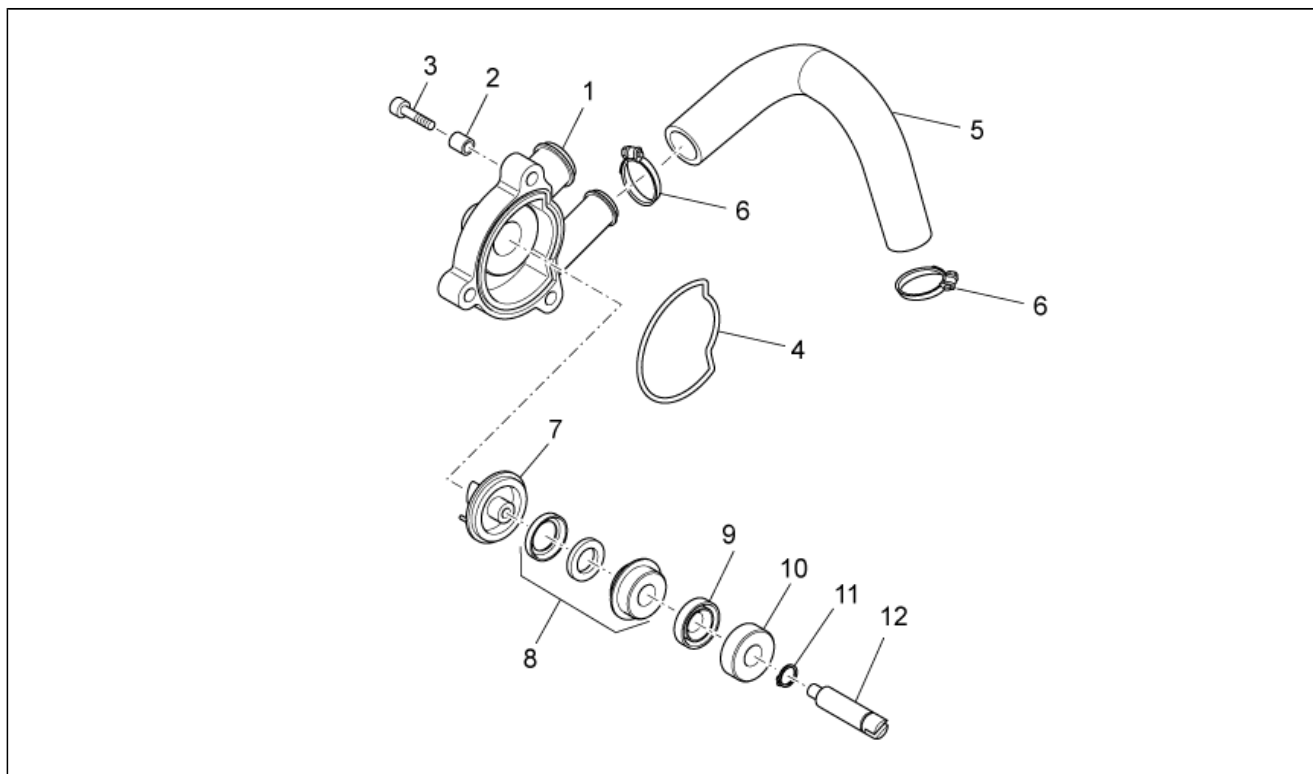
Pos.	Code	Description	Qty	Variants
1	AP2QCA000648	Starter motor	1	
2	414837	Screw w/ flange	2	
3	AP3QEA000763	Starter motor gear	1	
4	AP3QEA000365	Starter motor gear	1	
5	AP3QCA000647	Sprag clutch	1	

Group	ENGINE
Code	29.54
Description	Ignition unit
Service	1



Pos.	Code	Description	Qty	Variants
1	896472	Spark plug NGK PMR9B	1	
2	JC32100X05300	Ignition unit cpl.	1	
3	AP4ADN000286	Hex socket screw	3	
4	AP4ADN000287	Hex socket screw	2	
5	JCC4316X5010L	Screw M5x8	1	
6	AP4ADN000294	Screw	3	
7	AP4AUN000253	Screw	1	
8	AP3DVN000235	Washer	1	
9	JC32371X05300	Plate	1	

Group	ENGINE
Code	29.55
Description	Water pump
Service	1



Pos.	Code	Description	Qty	Variants
1	AP3LZA000564	Water pump cover	1	
2	AP3FCN000249	Pin 5.5X7X9.3	3	
3	AP4ADN000266	Screw M5x18	3	
4	AP4EAN000252	O-ring	1	
5	JC17811X05300	Pump-cylinder hose	1	
6	AP4FDN000034	Hose clamp	2	
7	AP3LDA000324	Impeller	1	
8	AP3LAA000173	Pump mechanical seal	1	
9	AP4EBN000162	Gasket ring	2	
10	AP4GAN000156	Ball bearing 6000 C3	1	
11	AP4DAN000160	Circlip	1	
12	AP3LCA000323	Water pump shaft assy.	1	